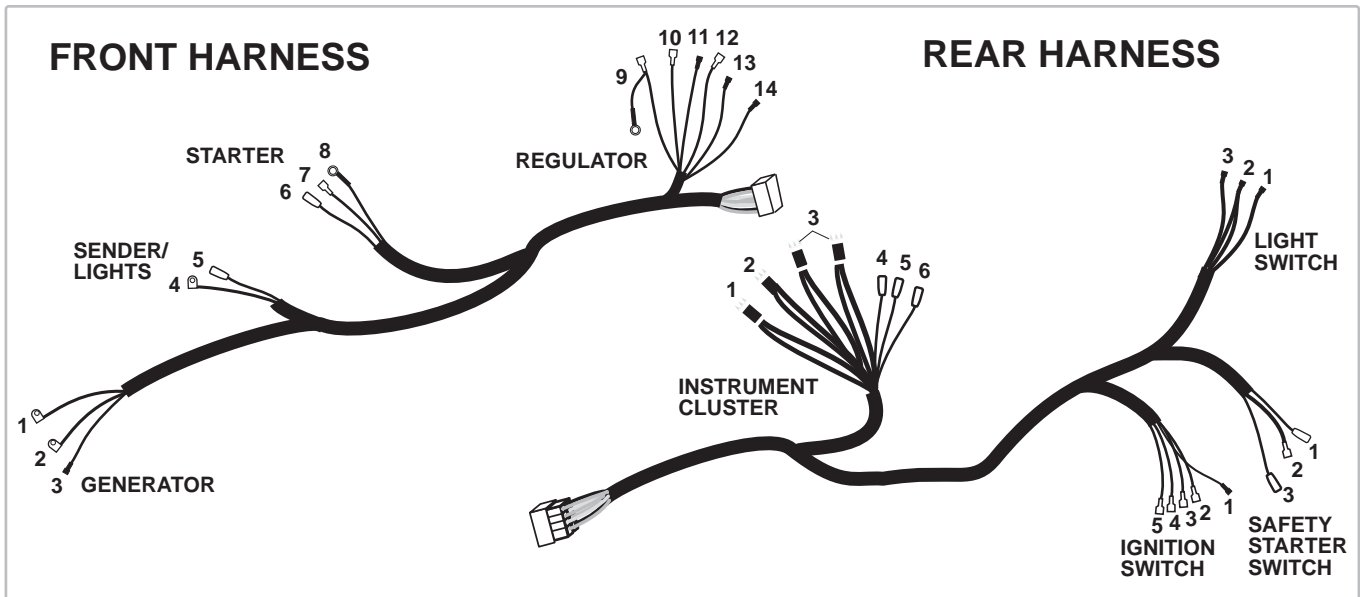


Instructions for Wiring Harness S.61981



FRONT HARNESS

Generator

- | | |
|----------------|--------------------|
| 1- Gray | Oil Sender |
| 2- Green | Generator Field |
| 3- Red (Large) | Generator Armature |

Sender/Lights

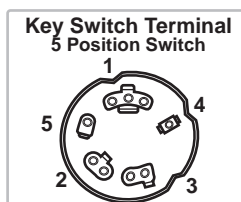
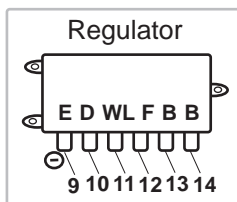
- | | |
|----------------|--------------------|
| 4- Blue | Temperature Sender |
| 5- Red (Round) | Headlights |

Starter

- | | |
|-----------|--|
| 6- Black | Diesel Thermostart - Extension wire may be needed. Not supplied. |
| 7- White | Starter/Solenoid |
| 8- Yellow | Starter/Battery |

Regulator

- | | |
|------------------|--------------------------------|
| 9- Black (2) | Push-on 'E'/Screw to Ground |
| 10- Red | Armature 'D' |
| 11- Brown/Yellow | Generator Warning Light 'WL' |
| 12- Green | Field 'F' |
| 13- Yellow/Red | Battery from Starter 'B' |
| 14- Yellow | Battery to Ignition Switch 'B' |



REAR HARNESS

Instrument Cluster

- | | |
|---|------------------------|
| 1- Gray/Gray | Oil Pressure Light |
| 2- Yellow/Gray | Charging Light |
| 3- Red/Black (2)
or Yellow/Black (2) | Cluster Illumination |
| 4- Blue | Temperature Gauge |
| 5- Gray | Voltage Stabilizer 'B' |
| 6- Black | Cluster - Ground |

NOTE: Fuel sender to fuel gauge wire not part of harness.

Light Switch

- | | |
|---------------------------------------|-----------------------------|
| 1- Red (Heavy) | Hot |
| 2- Red (Double)
or Red-Blue/Yellow | Instrument/ Rear Tail Light |
| 3- Red (Single) | Headlight |

Ignition Switch

- | | |
|-----------------------|---------------------------------|
| 1- Yellow/Red | Hot Battery - Terminal #1 |
| 2- Red-Blue or Yellow | Light Switch - Terminal #2 |
| 3- Black | Diesel Thermostat - Terminal #3 |
| 4- Gray (Small) | Instruments - Terminal #4 |
| 5- Gray (Large) | Safety Starter - Terminal #5 |

Safety Starter Switch

- | | |
|---------|-----------------------|
| 1- Gray | Safety Starter Switch |
| 2- Gray | Safety Starter Switch |
| 3- Red | Rear Lights |