

**Sparex**  
Your 1<sup>st</sup> choice



# Tractor Separator

## Instruction Manual

**Contents**

**Section I Introduction**

1.0 Tractor Separator ..... 1

**Section II Safety Guide**

2.0 Warnings ..... 1

2.1 Understanding The Warnings ..... 1

2.2 General Safety Instructions ..... 2

**Section III Product Overview & Specification**

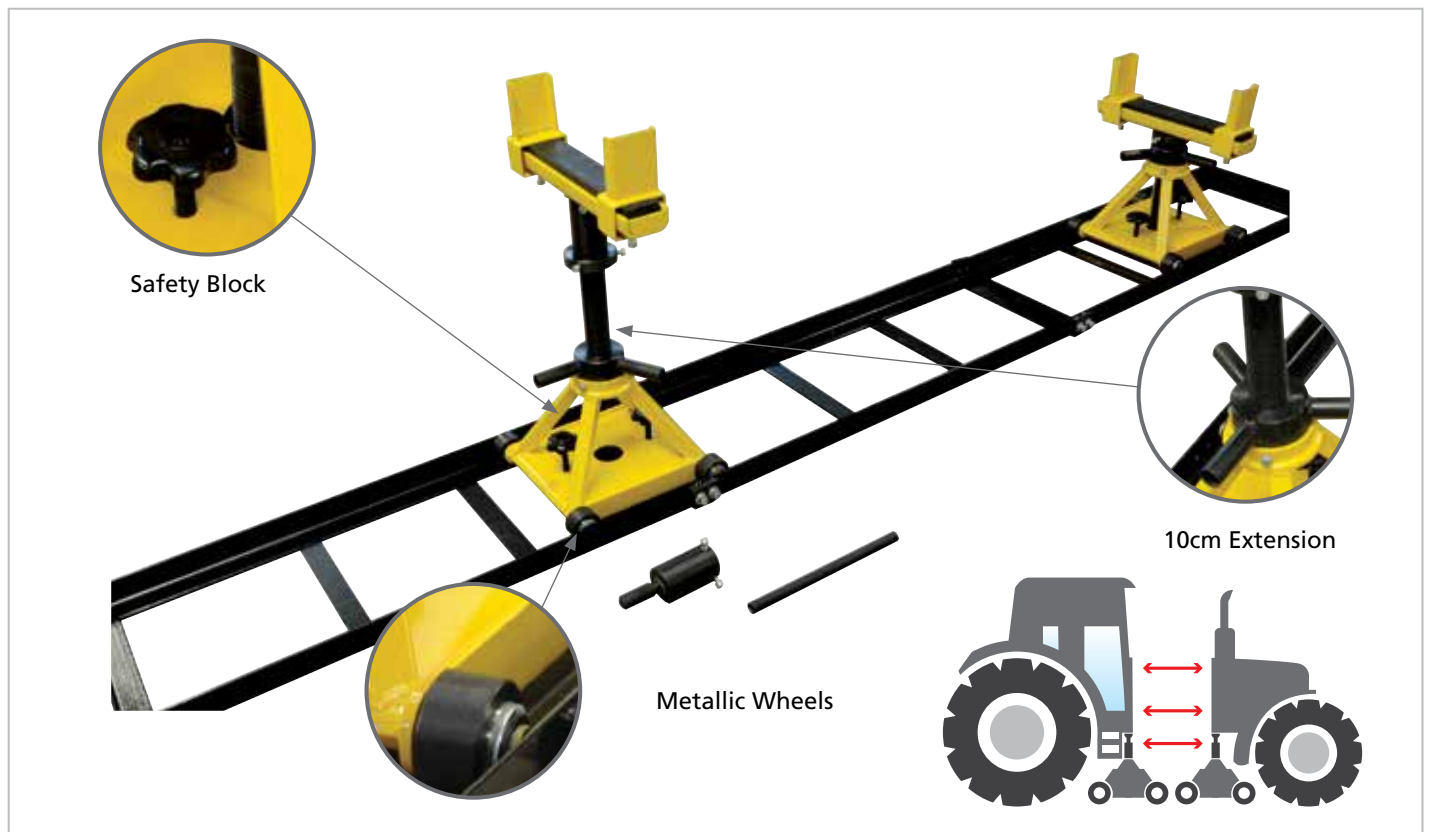
3.0 Product Overview ..... 2

3.1 Specification ..... 2

**Section IV Installation**

4.0 Sliding Rail Installation ..... 3

4.1 Jack Stand Installation ..... 3



## Section I Introduction

### 1.0 Tractor Separator

A tractor is mainly constructed in two parts, front-end with the engine and front axle, the rear section with the rear axle, cab and gearbox. The Tractor separator is designed to separate these two parts effortlessly, efficiently and safe during maintenance, repair and inspection. This separator is constructed by using two jacks with a sliding rail which allows the jacks to move separately and freely on the rail. There are two side locking plates on the jack stands to adjust the fixing and position safely to the tractor. By rotating the adjustment screw with the support handle, to an adjustment height of between 370-604mm. By using the 10cm extension (6) this will increase the height to 470-704mm

#### Features:

- 3 metre slide rail for the movement of jacks stands.
- 2 Jacks stands and support fixings.
- 1 support handle to assist the adjustment.
- 2 Height extensions enabling the height to be increased by 10cm.

## Section II Safety Guide

### 2.0 Warnings

The operator must fully understand the warnings on this product. The warnings are designed to highlight the importance and precautions required.

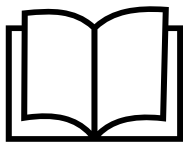
- DANGER:** You must draw the operators attention to situation of which may endanger his or other peoples' safety.  
**CAUTION:** To draw the operators attention to the situation which may affect the performance of the separator.  
**IMPORTANT:** To draw the operators attention to good workman ship at all times.

It is important to follow the safety guide lines given by the warnings, which can be clearly seen and found on this product. If you require to update this warning please contact the manufacturer.

**THE MANUFACTURER IS NOT RESPONSIBLE FOR ANY CONSEQUENCES DUE TO THE OPERARTORS NEGLIGENCE OF THESE WARNINGS OR IRREGULAR OPERATIONS.**

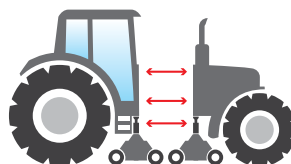
### 2.1 Understanding The Warnings

Before using the product, the first thing to do is to understand the following instructions:



#### Before Operation

1. Carefully read thoroughly these operating instruction before you operate this tractor separator.



#### During Operation

2. The operator must ensure jack stands do not exceed the 5 Tonnes capacity on each jack. Especially pay attention to the situation of one stand being over loaded.



3. Always use safety locks at bottom of the jack stands to avoid accidental movement when not in use.

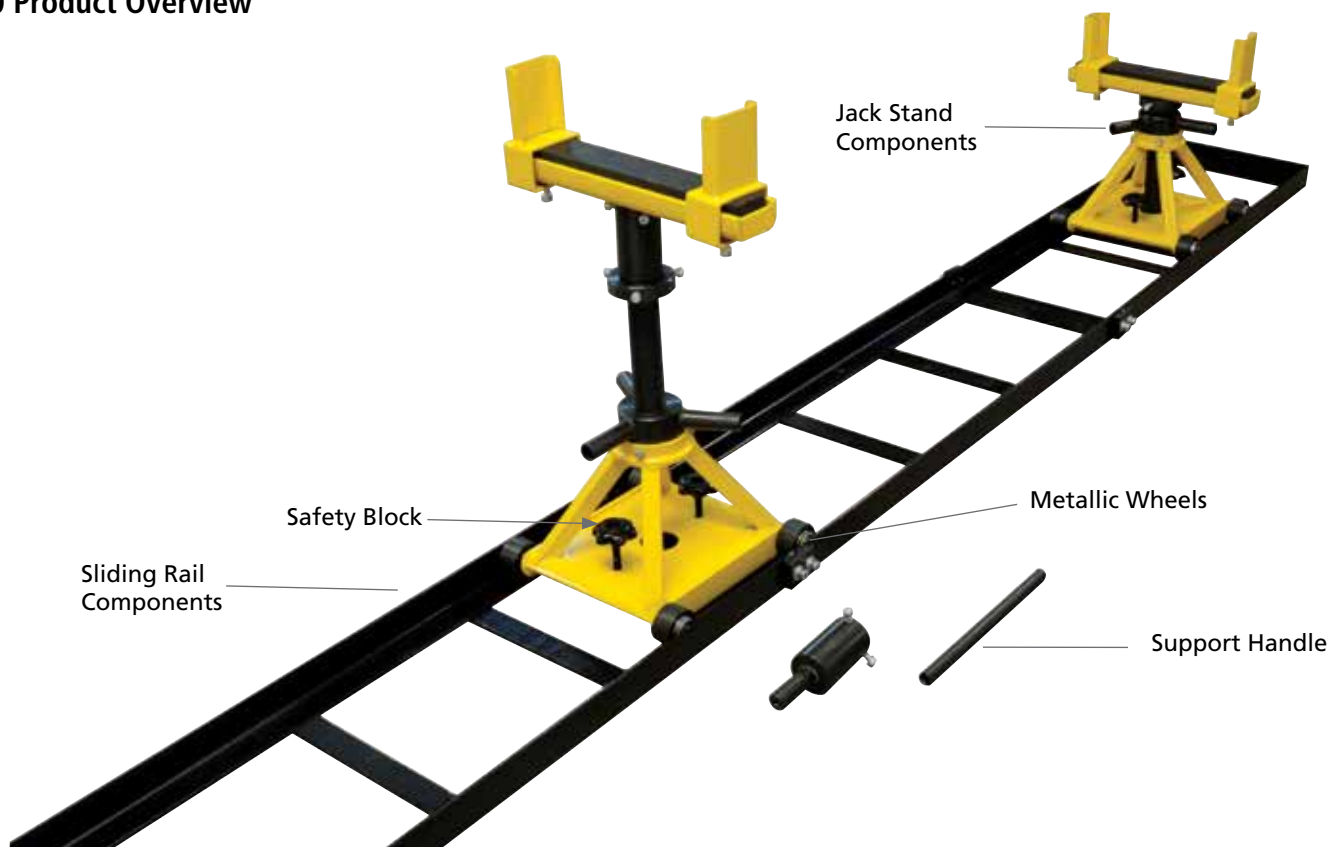
## 2.2 General Safety Instructions

While operating the tractor separator, one should pay great attention to the following safety points:

- The operator to be experienced in using this equipment, read the instruction manual carefully.
- Do not use this tractor separator for tractors over 10 Tonnes.
- Do not exceed the 5 Tonnes capacity per jack.
- Pay attention to avoid the situation that one jack stand may be overloaded while the other is still in load scope due to uneven weight of the tractor.
- The tractor separator must only be used on a clean level workshop floor.
- This tractor separator must not be used without the side safety locking plates (5). adjust the jacks under the tractor and fix side locking plates in position.

## Section III Product Overview & Specification

### 3.0 Product Overview



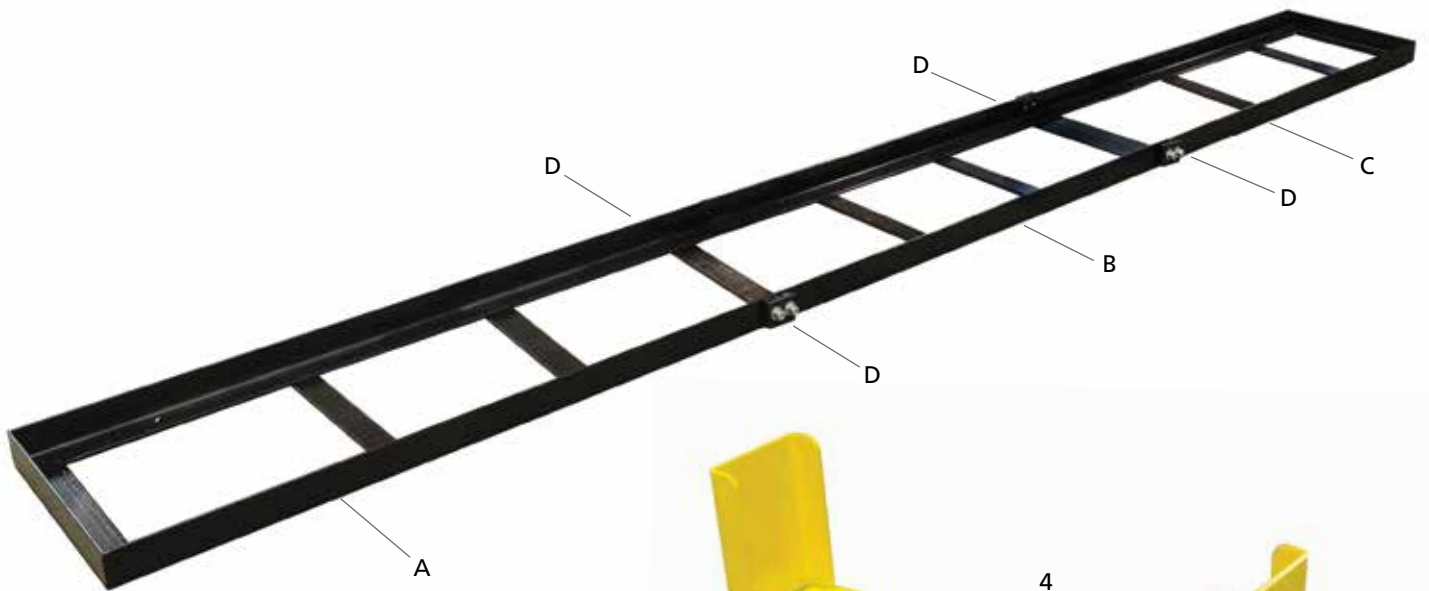
### 3.1 Specification

- G.W.: 80 KGS; N.W.: 68 KGS.
- Package size: 107\*43\*42 cm.
- Max. Supported weight 5000 KGS, per jack stand.
- Min. Height: 370 mm/470 mm (with extension).
- Max. Height: 604 mm /704 mm (with extension).
- Length: 234 mm.

## Section IV Installation

### 4.0 Sliding Rail Installation

- Place the 3 sliding rails on a level floor as shown in the diagram A, B, C.
- Join the three rails together by using the plates and bolts D.



### 4.1 Jack Stand Installation

- Place the plain bearing (2) on top of the jack stand (1).
- Place the Adjustment screw (3) into the bearing and stand.
- Slide the vertical top bracket (4) into the adjustment screw (3) tighten locking screws.
- Insert the side locking plates (5) to the top support bracket (4).
- 10 cm extension pillar (6) supplied to increase height if required.





## **Sparex Limited**

Exeter Airport  
Exeter  
Devon  
EX5 2LJ  
UK  
Email: [sales@sparex.co.uk](mailto:sales@sparex.co.uk)  
Tel: 01392 441338

## **Sparex Limited**

56 Seskinore Road  
Drumconnolly  
Omagh  
County Tyrone  
N.Ireland  
Email: [nipost@sparex.co.uk](mailto:nipost@sparex.co.uk)  
Tel: 02882 252565

[sparex.com](http://sparex.com)

These parts are Sparex parts and are not manufactured by the Original Equipment Manufacturer. Original Manufacturer's name, part numbers and descriptions are quoted for reference purposes only and are not intended to indicate or suggest that our replacement parts are made by the OEM.

**Sparex**  
Your 1<sup>st</sup> choice