



# Sparex

Your 1<sup>st</sup> choice

S.166338

S.166344



IP69K



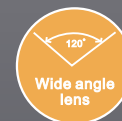
Wired



Max 4 cameras



9" HD



Wide angle lens



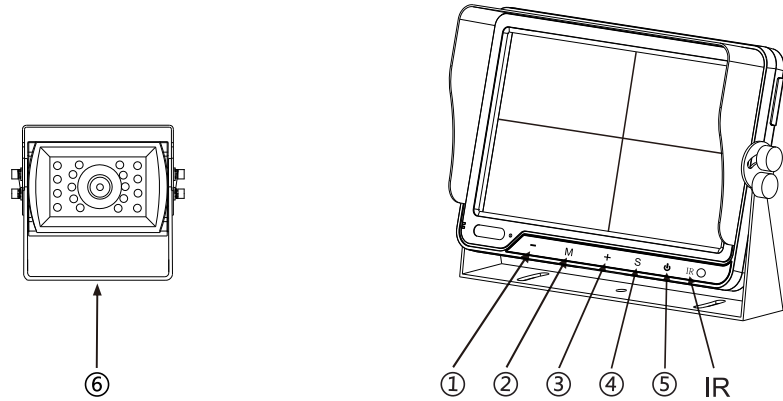
+70°C  
-20°C  
Operating temperature



RoHS

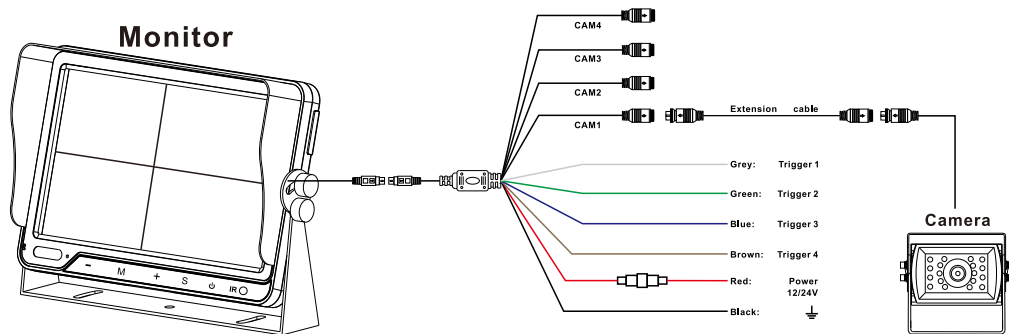


# HD Digital Wired System User Manual



- ① Left(Vol-)
- ② Menu/Move down
- ③ Right(Vol+)
- ④ Channel selection
- ⑤ Power
- ⑥ Camera

## Power Connection



# Declaration of Conformity

Name of supplier: Sparex Group  
 Manufacturer: Guangzhou Besyo Auto Parts CO.,LTD  
 Supplier of address: Exeter Airport, Devon EX5 2LJ, United Kingdom  
 Manufacturer: 1208, The 12th Floor, Xiangyun Building, NO.1400 Baiyun Avenue, Baiyun District, Guangzhou,P.R.C

**CE** Declaration of Conformity compliance with the council EMC Directive 2014/30/EU.

**RoHS** Declaration of Conformity compliance with the council RoHS directive 2011/65/EU its amendment Directive EU 2015/863

**E9** Declaration of Conformity concern of a type of electronic sub-assembly with regard to ECE Regulation No.10.06 for monitor, ECE Regulation No.10.05 for camera.

**UK CA** Declaration of Conformity in accordance with Regulation 43 of the Electromagnetic Compatibility Regulations 2016 (SI 2016 No. 1091, as amended).

With amendment of the EC Directives and Standards, this declaration is valid for each unit of this article which is delivered to Sparex Ltd

Article Name: Monitor with camera  
 Supplier's Article No.: BY-08903MQ, BY-02063  
 Sparex Article No.: S.166338

Implemented harmonized, Standard according to	<b>CE(EMC)</b> <u>EN 50498:2010</u>	<b>RoHS</b> <u>IEC62321-1:2013</u>	<b>E9</b> <u>Monitor:ECE No. 10.06</u> <u>camera:ECE No. 10.05</u>	<b>UKCA</b> <u>EN 55032:2015+A11:2020</u> <u>EN 55035:2017</u>
---	--	---------------------------------------	--	--

Official Agency:	<u>Shenzhen DL Testing Technology Co., Ltd</u> <u>DL-20210419017C</u> <u>DL-20210419016C</u>	<u>Shenzhen DL Testing Technology Co., Ltd</u> <u>DL-2019061761C</u>	<u>IDIADA Automotive Technology, S.A.</u> <u>E9*10R06/01*22742*00</u> <u>E9*10R05/01*16583*00</u> <u>Apr. 12, 2021 Feb.20,2019</u>	<u>Element Materials Technology Warwick Ltd</u> <u>EMA21UKEMC0002</u> <u>EMA21UKEMC0006</u> <u>Mar.22,2021 Feb.02,2021</u>
------------------	--	---	---	---

Certificate No.:	<u>DL-20210419017C</u> <u>DL-20210419016C</u>	<u>DL-2019061761C</u>	<u>E9*10R06/01*22742*00</u> <u>E9*10R05/01*16583*00</u>	<u>EMA21UKEMC0002</u> <u>EMA21UKEMC0006</u>
------------------	--	-----------------------	--	--

Date of Issue:	<u>Apr. 20, 2021</u>	<u>Jun. 10, 2019</u>	<u>Apr. 12, 2021 Feb.20,2019</u>	<u>Mar.22,2021 Feb.02,2021</u>
----------------	----------------------	----------------------	----------------------------------	--------------------------------

Signature with Company Chop:				
Typed name/title of authorized person	<u>Jade Yang</u> <u>/Manager</u>	<u>Jade Yang</u> <u>/Manager</u>	<u>Lyrica chen/Engineer</u> <u>Josep Masip Gomez</u> <u>/Manager</u>	<u>Kent Lian/Auditor</u> <u>Lluís Sana Gomis</u> <u>/Department Manager</u>

Designed & Importer by:	Sparex Group Exeter Airport Devon EX5 2LJ United Kingdom	Sparex France Z.A.E de Ty douar 29450 Commana France	Manufactured by: Guangzhou Besyo Auto Parts CO., LTD 1208, The 12th Floor, Xiangyun Building, NO.1400 Baiyun Avenue, Baiyun District,Guangzhou. People Republic of China
-------------------------	---	---	--



## Warning

**GB**

The system maintenance must be maintained by professionals, please do not open and improve the system! The system is only for the safe operation of equipment and not responsible for accidents! This manual is for reference only. If unknown, or any changes, we will give no notice. The final interpretation right belongs to the manufacturer.

**ES**

El mantenimiento del sistema debe ser realizado por profesionales. No intente abrir ni mejorar el sistema. El sistema es solo para el funcionamiento seguro del equipo y no es responsable de accidentes. Este manual es solo para referencia. No lo notificaremos de cambios o aspectos desconocidos. El derecho de la interpretación final le pertenece al fabricante.

**NL**

Het systeem onderhoud moet worden onderhouden door professionals, gelieve niet te openen en het systeem te verbeteren! Het systeem is alleen voor de veilige werking van de apparatuur en niet verantwoordelijk voor ongelukken! Deze handleiding is alleen ter referentie. Indien er onbekende dingen gebeuren, of wijzigingen zijn, zullen wij u niet contacteren. Het uiteindelijke oordeel berust bij de fabrikant.

**FR**

L'entretien du système doit être effectué par des professionnels, veuillez ne pas ouvrir et améliorer le système ! Le système est seulement destiné au fonctionnement sûr de l'équipement et ne peut être tenu responsable des accidents ! Ce manuel est seulement à titre de référence. En cas d'inconnu, ou de tout changement, nous ne donnerons aucun préavis. Le droit d'interprétation final appartient au fabricant.

**DE**

Die Systemwartung muss von Fachleuten durchgeführt werden, bitte das System nicht selbstständig öffnen und keine Verbesserungsversuche vornehmen! Das System dient nur für den sicheren Betrieb von Geräten und wir übernehmen keine Haftung für jegliche Unfälle! Dieses Handbuch dient nur als Referenz. Wir behalten uns das Recht auf jegliche Änderungen ohne Ankündigung vor. Das Recht auf die endgültige Auslegung liegt beim Hersteller.

**DK**

Systemvedligeholdelse skal vedligeholdes af fagfolk. Du må ikke åbne og forsøge at forbedre systemet! Systemet er kun beregnet til sikker betjening af udstyret og er ikke ansvarligt for ulykker! Denne vejledning er kun til reference. Hvis det er ukendt eller der er ændringer, giver vi ingen besked. Den endelige fortolkningsret tilhører producenten.

**PL**

Konserwację systemu mogą przeprowadzać wyłącznie specjaliści, nie wolno otwierać ani ingerować w system! System służy do bezpiecznej obsługi urządzeń, jednak nie gwarantuje braku wypadków! Niniejsza instrukcja ma znaczenie tylko informacyjne. Nie powiadamy o wprowadzanych zmianach. Prawo do ostatecznej interpretacji należy do producenta.

**IT**

La manutenzione del sistema deve essere effettuata da professionisti, si prega di non aprire ed apportare miglioramenti al sistema! Il sistema è progettato per garantire il funzionamento sicuro delle attrezzature e non è responsabile di eventuali incidenti! Questo manuale è solo per riferimento. Per novità, o eventuali modifiche, non daremo alcun preavviso. Il diritto di interpretazione finale appartiene al produttore.

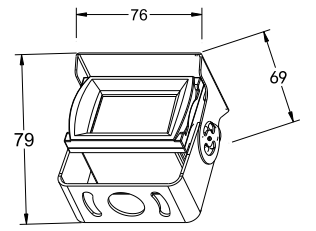
**PT**

A manutenção do sistema deve ser realizada por profissionais. Não abra nem modifique o sistema! O sistema destina-se unicamente à operação segura do equipamento e não é responsável por acidentes! Este manual serve unicamente para referência. Se desconhecido ou quaisquer alterações, não enviaremos nenhum aviso. O direito de interpretação final pertence ao fabricante.

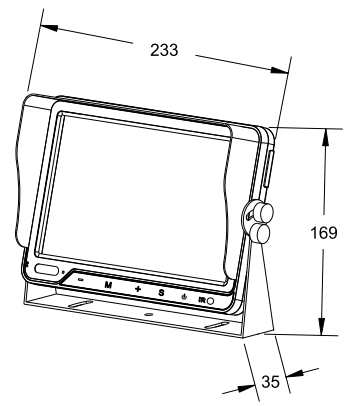
### Contact Information

Europe	
<b>Austria</b> Tel: +43 4212 6000 Sparex Austria Marschallergasse 1 Hornsdorfer 9300	<b>Belgium / Lux</b> Tel: +32 54295 310 Sparex Belgium Bvba Rue de l'Industrie 2 B-8820 Waasland
<b>Denmark</b> Tel: +45 647 22287 Sparex Denmark Marschallergasse 1 Hornsdorfer 9300	<b>Italy</b> Tel: +43 4212 6000 Sparex Austria Marschallergasse 1 Hornsdorfer 9300
<b>Netherlands</b> Tel: +31 235 841 020 Sparex Holland Bv Loozevander 100 2155 GM Nieuw-Wenep	<b>Poland</b> Tel: +48 61 816 19 37 61-108 ul. Białej 164, Poznań
<b>France</b> Tel: +33 2987 80234 Sparex S.A. R.L. Zac Des 70 Ouses Commana 28450	<b>Germany</b> Tel: +49 4388 93100 Sparex Germany Hornsdorfer 9300 Sitzmann 27459
<b>Ireland</b> Tel: +353 31 805082 Sparex (Tractor Accessories Ltd) Hornsdorfer 9300 Waterford Ireland	<b>Portugal</b> Tel: +351 261 311 107 Sparex Portugal, importação e Comércio de Peças, Lda Lugar da Espera 2365-716-Rua N. 15 B 05006 Vitoria-Garcia (Alentejo)
<b>Spain</b> Tel: +34 911 339324 Sparex Agriimportos, S.L./C/ Jose Maria Garriga N. 15 B 05006 Vitoria-Garcia (Alentejo)	<b>UK</b> Tel: +44 1392 441338 Sparex Limited Eastern Export Devon Exeter EX4 2LJ
North America	
<b>Canada</b> Tel: +1 905 784 7277 Sparex Canada Highway No 20n Newcastle L1B 1B9	<b>USA</b> Tel: +1 330 629 1150 Sparex USA PO Box 150 Aurora, OH 44202
Africa	
<b>South Africa</b> Cape Tel: +27 21 887 9752 42N Tel: +27 31 573 3245 PO Box 150 35 George Wade St Frankfort Stellenbosch 7600 Durban 4001	<b>Kenya</b> Tel: +254 20 200 7972 42N Tel: +27 31 573 3245 PO Box 150 35 George Wade St Frankfort Stellenbosch 7600 Durban 4001
Australasia	
<b>Australia</b> Tel: +61 296 200 7972 42N Tel: +27 31 573 3245 PO Box 150 35 George Wade St Frankfort Stellenbosch 7600 Durban 4001	<b>New Zealand</b> Tel: +64 6338 4122 4 Princes Street Dunedin Auckland 1145
Sparex Export Markets	
<b>Esport</b> Tel: +43 4212 6000 Sparex Limited Eastern Export Devon Exeter EX4 2LJ	

## Feature



Camera	
	120°
	IP69K
	Yes
	-20°C ~ 70°C -68°F ~ 158°F
	10m
	10G
	12V



Monitor	
	9" HD
	4 Quad split
	800*R.G.B.*480
	Yes
	IP54
	500:1
	450cd/m²
	-20°C ~ 70°C -68°F ~ 158°F
	10G
	12/24V

## Monitor Menu



PICTURE



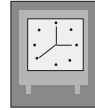
VOLUME



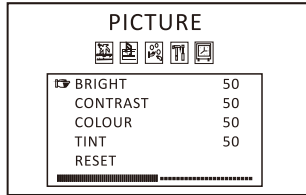
OPTION



SYSTEM

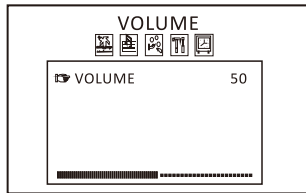


PRESET



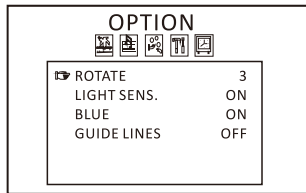
1) Picture:

**+** → → **S** → BRIGHT or CONTRAST or COLOUR  
Confirm  
 or TINT or RESET → **-** or **+** → **M**



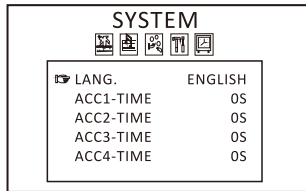
2) Volume:

**M** → → VOLUME → **-** or **+** → **M**



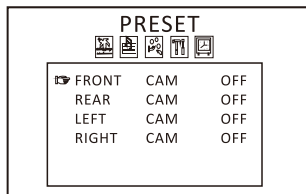
3) Option:

**M** → → **S** → ROTATE or LIGHT SENS. or  
Confirm  
 or BLUE or GUIDE LINES → **-** or **+** → **M**



4) System:

**M** → → **S** → LANG. or ACC1-TIME or  
Confirm  
 or ACC2-TIME or ACC3-TIME or ACC4-TIME →  
**-** or **+** → **M**



5) Preset:

**M** → → **S** → FRONT CAM or REAR CAM or  
Confirm  
 or LEFT CAM or RIGHT CAM → **-** or **+** → **M**

## Applications

