

Mounting Instructions for Power Steering Conversion Kit

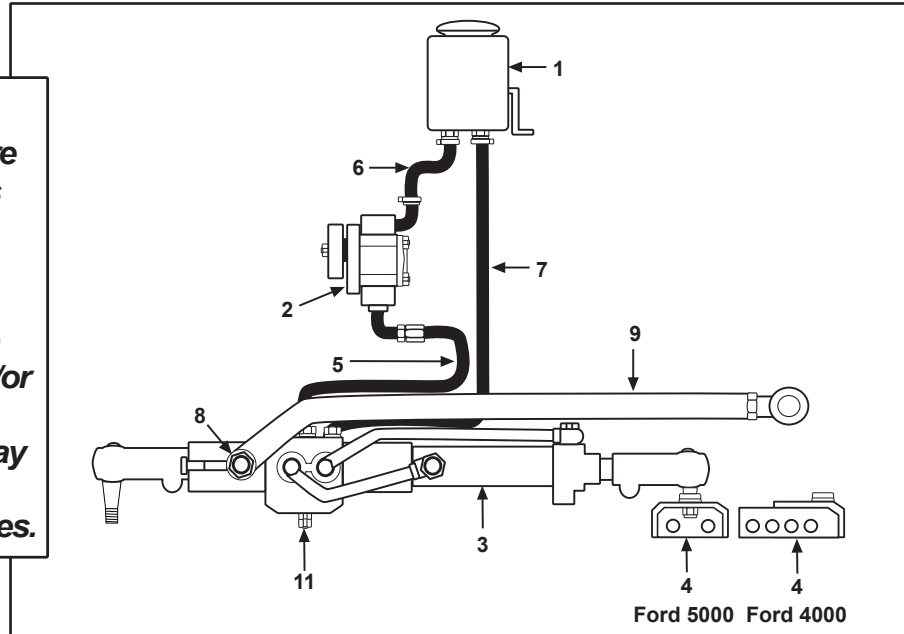
S.66029

Ford-4000 Diesel

S.60749

Ford-5000 Diesel

NOTE:
These Kits are Add-on Units Designed for Tractors with-out Loaders. The Cylinder and/or Tie Rod Assembly may Interfere with Loader Frames.



READ ALL INSTRUCTIONS BEFORE BEGINNING!

1. Mount Reservoir Before or Aft of Exhaust Pipe Using Original Valve Cover Bolt.
2. Prepare Cylinder for Mounting.
3. Mount Power Steering Pump.
4. Place Mount Bracket on Body of Tractor & Fasten Bolts.
5. Assemble & Mount Power Steering Cylinder & Drag Link.
6. Assemble Hoses as in Diagram (Note: Pressure Hose Connects to Front Port of Cylinder).
7. Fill Reservoir with Hydraulic Steering Oil (Transmission Fluid).
8. Adjust Screw (#11) of the Pressure Relief Valve, if necessary.

NOTE: *The Generator Bracket must be modified when installing gear pump on tractors with generators. It will interfere with the generator mounting bracket.*

To mount Reservoir on gas tractors, the mounting must be modified.

Orientation of Parts listed RH or LH is from the Seat.

**WARNING -
 RESERVOIR MUST BE FLUSHED!**

Spare Parts for Ford Power Steering Conversion Kits

Ref No	Description	Part No	4000	5000
1	Reservoir	S.60319	X	X
-	Reservoir Cap	S.60378	X	X
5	Hose (Pump- PSI)	S.60384	X	X
7	Hose (Return)	S.60386	X	X
6	Hose (Suction)	S.60385	X	X
-	Plug	S.60344	Not in New Kits	
-	Switch	S.60313	Not in New Kits	
4	Cylinder Mounting Bracket	S.60376	X	-
4	Cylinder Mounting Bracket	S.60377	-	X
9	Drag Link 33" Long	S.60381	X	-
9	Drag Link 39" Long	S.60382	-	X
9	Gear Box Arm	S.61349	X	-
-	Control Valve Stud	S.61328	X	X
-	Tie Rod End	S.60391	X	-
-	Piston Pump Shaft Seal	S.61184	X	X
-	Piston Pump Bearing	S.65381	X	X
-	Piston Pump Repair Kit	S.60393	X	X
2	Piston Pump	S.60394	X	X
2	Gear Pump	S.61583	X	X
-	Cylinder End	S.60391	X	X
-	Cylinder Seal Kit	S.60392	X	X
3	Cylinder (10" Stroke)	S.60368	X	X