



Built-in
Rechargeable
Battery



8000 PSI
550 BAR



400gms / 14oz
Capacity



Rechargeable Grease Gun

Instruction Manual

S.170527

Rechargeable Grease Gun

Rechargeable Grease Gun with inbuilt battery complete with an aluminium die cast head fitted with air release valve. Lightweight, compact, and a barrel finished with a premium powder coat, this grease gun operates 3 times more powerfully than the manual alternatives and empties up to 7 (14oz / 400gms) grease cartridges on one full charge.

Included with the box is a USB-C charging cable, 30" / 750mm flexible hose with a spring guard, as well as a 3 jaw hydraulic coupler.

The rechargeable grease gun from Sparex is perfect for the demands of a busy workshop or garage, whilst also being suitable for multiple everyday maintenance applications.

Specification

Motor Output Torque	12v DC
Battery	Li-Ion 2000 mAh
Charging Port	USB Type-C
Max. Working Pressure	8000 PSI / 550 BAR
Delivers Up-to (in free flow)	87gm min / 3oz min
Coupler	3 Jaw Hydraulic Coupler

Box Contents

1 x Rechargeable Grease Gun Assembly	1 x USB Type-C Charging Cable
1 x 30" / 750mm Flexible Hose with coupler	1 x O.I.P.M



Safety Information

- Follow workshop Health & Safety rules, regulations and conditions when using the grease gun.
- During their period of use, accessories must be checked for wear, cracks and other damage, replace any damaged or worn parts.
- Use genuine parts only. Unauthorized parts may be dangerous and will void the warranty.
- Wear approved safety gloves and eye and ear protection. Avoid electric shock by avoiding direct contact with grounded components such as pipes, couplers etc.
- Keep the gun clean and in good working order for best and safest performance.
- Do not operate this gun in explosive atmospheres such as in the presence of flammable liquids, gases, or dust. It may create sparks leading to fire causing personal injury & material damage.
- Do not handle the charger, its plug, or the grease gun with wet hands or in damp locations.
- Remove any metal tool attached to the grease gun before turning the power on. A wrench or a key that is left attached to a moving part of the gun may cause personal injury.
- Always maintain your grip & balance while operating the gun.
- Use a soft, dry cloth, remove all dirt, grease, and debris from the exterior of the grease gun. Do not use solvents to clean the grease gun.

Warning!

- DO NOT use the gun for a task it is not designed to perform
- DO NOT drop, throw or abuse the gun
- DO NOT carry the gun by the extension
- DO NOT use the grease gun while charging.
- Grease is delivered at high pressure. DO NOT point the grease gun outlet at yourself or others.
- Defective accessories can lead to personal injury and material damage
- DO NOT charge leaking Batteries
- DO NOT use gun if damaged or thought to be faulty. Contact your local service agent. .

Tools Needed

- 14mm / 9/16" spanner
- 12mm spanner

Installation

- Refer to exploded diagram over leaf

Setting up the Grease Gun

Note: Use P.T.F.E. tape while connecting extension (5) to the grease gun head (2) and grease coupler (6) to the extension (5).

1. Connect the extension (5) to the outlet of grease gun head (2)
2. Thread tighten the grease coupler (6) to other end of extension (5) using 14 mm (9/16") spanner
3. All connections should be tight

Caution!

- Grease or empty cartridge in barrel is under pressure from the internal spring, Be alert when removing head of the barrel.

Loading the Grease Gun

Remove any cartridge in the grease gun barrel (1) prior to refilling.

1. To check if a cartridge is in the grease gun barrel (1), first pull out the plunger handle (10) to its maximum distance and lock it in place.
2. Remove the grease gun barrel (1) by turning it counter clockwise.

3. Remove any empty cartridge.

Always follow the steps listed above in preparing to load your grease gun before proceeding to the appropriate loading method

There are 3 ways to load this grease gun:

- Cartridge loading
- Bulk fill
- Suction fill

Cartridge Loading

1. Fully draw back the plunger handle (10) and lock it in place.
2. Remove the grease gun barrel (1) from the grease gun head (2) by turning it counter clockwise.
3. Insert the open end of the cartridge into the grease gun barrel (1) and push it all the way in.
4. Remove the seal or pull tab end from the cartridge.
5. Reassemble the grease gun barrel (1) to the grease gun head (2) by turning it clockwise.

Bulk Fill

1. Fully draw back the plunger handle (10) and lock it in place.
2. Remove the grease gun barrel (1) from the grease gun head (2) by turning it counter clockwise.
3. Fill the grease gun barrel (1) with grease using a spatula.
4. Reassemble the grease gun barrel (1) to the grease gun head (2) by turning it clockwise.

Suction Fill

1. Remove the grease gun barrel (1) from the grease gun head (2).
2. Submerge the open end of grease gun barrel (1) into grease bucket by approximately 2" and fully draw back the plunger handle (10) and lock it in place.
3. Reassemble the grease gun barrel (1) with the grease gun head (2)

Caution!

Do not apply excessive torque or over-tighten the grease gun barrel as this will apply undue stress to the die cast outlet of head and may cause it to fracture

Removing Trapped Air

After filling grease gun, trapped air should be removed by following the below steps.

General Procedure

1. While screwing back the grease gun barrel (1) into the grease gun head (2), make sure to tighten it only half way, leaving 2-3 turns before the head is fully tight.
2. Release the plunger handle (10) and push down on it.
3. Force the plunger rod (11) in & out a few times in order to compress the grease & force out trapped air in the grease from the loose connection between the grease gun head (2) & grease gun barrel (1).
4. Press the trigger (4) until the grease gun starts dispensing grease. At first discharge of grease, there may be some air bubble but will be followed by continuous flow of grease. If the grease is still accompanied with air bubble, repeat the above steps again
5. Once all the air bubbles are removed and grease starts flowing out continuously, fully tighten the grease gun barrel (1) into the grease gun head (2)
6. The grease gun is now ready to use.

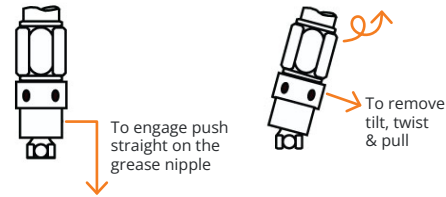
Procedures for Grease Gun with Air Release Valve

1. After filling grease gun barrel (1) with grease by any of the above methods, reassemble the gun.
2. Tap the air release valve (3) to release the trapped air.
3. Move the plunger rod (11) forward and backward to remove any trapped air pockets.
4. Press the trigger (4) until the grease gun starts dispensing grease. At first discharge of grease, there may be some air bubble but will be followed by continuous flow of grease. If the grease is still accompanied with air bubble, repeat the above steps again
5. Once all the air bubbles are removed the grease gun is now ready to use.

Operating Instructions

Refer to exploded diagram over leaf

1. The grease coupler (6) provided at the end of the extension (5) has a jaw type construction. The coupler jaws will snap on to a grease fitting and maintain a tight fit.
2. When connecting the grease coupler (6) to the grease fitting, press the grease coupler (6) straight onto the grease fitting to form a snug fit.
3. Press the trigger (4) with the grease coupler (6) as aligned to the grease fitting as possible.
4. Once greasing is completed, slightly tilt the grease coupler (6), twist and pull back.
5. The tilt and twist action will allow easy removal of the grease coupler (6) from the grease fitting.



Charging the Grease Gun

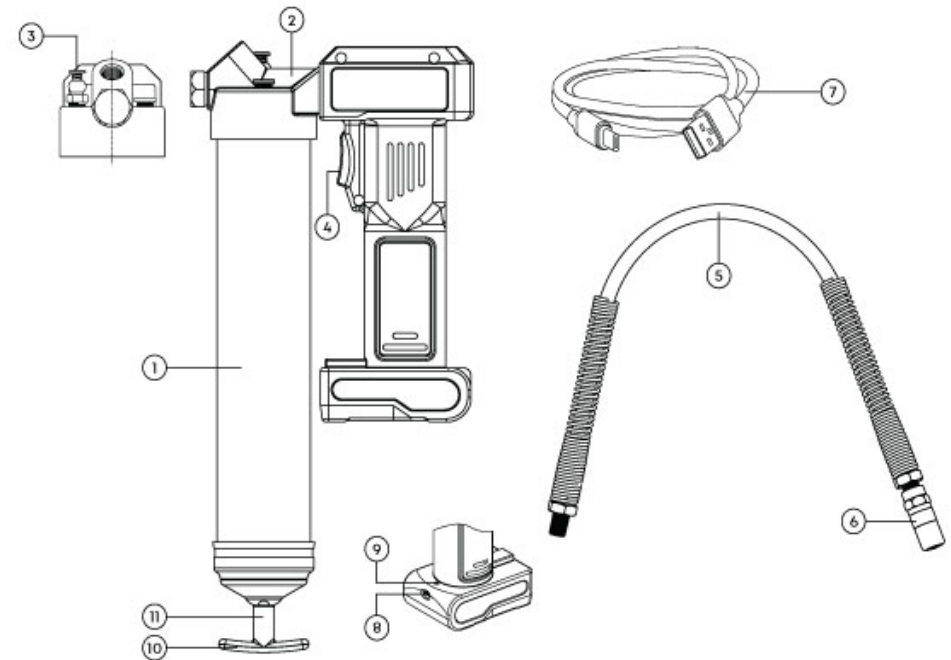
1. Temperature of the grease gun will be high during and shortly after use. Allow the grease gun to cool to room temperature before charging otherwise battery of the grease gun may not accept a full charge.
2. Connect the charging cable to a suitable charger adapter & Plug the charger into the nearest, grounded, electrical outlet, now connect grease gun to the charger and switch it ON.
3. While the grease gun is charging, red light (9) will glow continuously, this indicates that the grease gun is in charging mode.
4. When the grease gun is completely charged, the red light (9) will turn off. Switch OFF the electrical outlet, pull charger out of socket and remove grease gun from the charger

Maintenance

Refer to exploded diagram over leaf

- Before performing any maintenance or when storing the grease gun, ensure that the charger is unplugged from its electrical outlet.
- Before each use, check for damage, noise leaking battery, damaged extension or any other hazardous condition.
- Grease gun and extension (5) should be kept clean and checked for damage before each use.
- Recharge the grease gun immediately upon discharge or before storing the grease gun.
- When not in use, the grease gun should be charged after every 6 months to maintain the battery life

Exploded Diagram



Parts List

Ref. No	Description	Quantity	Ref. No	Description	Quantity
1	Grease gun barrel	1	7	Charging Cable (USB Type-C)	1
2	Grease gun head	1	8	Charging Point	1
3	Air release valve	1	9	Red Light	1
4	Trigger	1	10	Plunger handle	1
5	Extension (Flexible hose)	1	11	Plunger rod	1
6	Grease coupler	1			

Trouble Shooting

Refer to exploded diagram over leaf

Problem	Possible Cause	Corrective Action
Grease gun pumps little or no grease	Barrel not completely tightened	Tighten the barrel completely
	Air pockets are trapped in grease	Remove air pocket by referring to 'Removing Trapped Air' section
	Blocked grease gun extension	Re Remove the extension and operate the grease gun. If the gun dispenses grease then the gun is fine. Clean or replace the extension.
	Grease too thick or cold	Store grease gun and grease away from extreme cold or use thinner grease.
Grease gun not working	Battery not charged	Charge the battery then use
Battery not charging	Charger is not connected to power source	Connect charger properly
	Charging cable damaged	Replace the charging cable
Excessive grease leaking past the follower	The follower is damaged	Replace the grease gun barrel
If the gun still doesn't operate		Contact nearest authorized service dealer

Disposal

The components or the used products must be given to companies that specialize in the disposal and recycling of industrial waste.