

Instruction Manual

UG 16.2 EcoLine M



Imprint

Manufacturer:

UNIFLEX-Hydraulik GmbH
Robert-Bosch-Strasse 50-52
D-61184 Karben
Germany

Phone: +49 (0) 60 39 / 91 71 - 0
Fax: +49 (0) 60 39 / 91 71 - 181

This Operating Manual of the machine is a translation; the original is in German.

Date of revision: 2020-11-27

Version: 1.2

© Copyright by UNIFLEX-Hydraulik GmbH

Technical modifications reserved.

The reproduction, distribution and utilization of this document as well as the communication of its contents to others without explicit authorization are prohibited. Offenders will be held liable for the payment of damages. All rights reserved in the event of the grant of a patent, utility model or design.

EC Declaration of Conformity

In accordance with EC Machinery Directive 2006/42/EC.

The following machine

UG 16.2 EcoLine M

was developed, designed and manufactured in compliance with EC Directive 2006/42/EC, in the sole responsibility of

UNIFLEX-Hydraulik GmbH

Robert-Bosch-Strasse 50 - 52

D-61184 Karben

The following standards, codes and specifications have been applied:

- EC Directive 2006/42/EC
- EN ISO 12100: 2010

This declaration are invalid when the machine is modified or if unauthorized and unapproved third-party components are used without our prior approval.

Entity authorised for documentation: Uniflex-Hydraulik GmbH,
Technical Documentation Dept.

Karben, 21.10.2020



Managing Director Harald von Waitz

Contents

1	About this document	6
1.1	Target groups	6
1.2	Storage	7
1.3	Name plate	8
2	Safety instructions.....	9
2.1	Presentation of warnings	9
2.2	Intended use.....	9
2.3	Product-specific risks.....	10
2.3.1	Risks imposed by mechanical equipment	11
2.3.2	Risks imposed by hydraulic equipment	11
2.3.3	Risks imposed by substances	11
2.3.4	Risks imposed by noise.....	11
2.3.5	Risks in case of fire	12
2.4	Safety	13
2.4.1	Working area	13
2.4.2	Protection equipment	13
2.4.3	Warning signs on the machine	14
3	Machine description	16
3.1	Design and function	16
3.2	Forming process.....	17
3.3	Technical data	19
4	Transport and commissioning.....	21
4.1	Transport	21
4.2	Intermediate storage of machine	22
4.3	Commissioning.....	23
4.3.1	Connect hand pump	23
4.3.2	Filling hydraulic oil	24
4.3.3	Filling hydraulic oil	25
5	Operation	28
5.1	What you have to observe	28
5.2	Forming the workpiece	28
5.2.1	Prerequisites	28
5.2.2	Hand pump operation mode	29
5.3	Changing the crimping dies	31
5.4	Setting the forming dimension	32

5.5	Completing the forming process	33
5.6	Emergency stop.....	34
5.7	Cleaning	34
6	Maintenance	35
6.1	What you have to observe	35
6.2	Maintenance schedule.....	35
6.3	Hydraulic oil change	37
6.4	Lubricating sliding surfaces	38
6.5	Micrometer adjustment	39
6.6	Replacing the battery.....	39
7	Troubleshooting.....	41
8	Decommissioning, disposal.....	42
8.1	Dismantling.....	42
8.2	Recycling	43
8.3	Consumables and waste	43
9	Annex	44
9.1	Machine overview	45
9.2	Accessories (retrofitable)	46
9.3	Spare parts list.....	47
9.3.1	Tool	47
9.3.2	Mechanics and Pneumatics	49
9.4	Spare parts kit	50
9.5	Service tool.....	50
9.6	Retaining bolt for standard crimping dies (depending on crimping die)	52
9.7	Hydraulic diagram.....	53
9.8	Maintenance log	54
9.9	Declaration of qualified staff	55

1 About this document

In this Operation Manual, the “forming machine UG 16.2 EcoLine M” is consistently referred to as machine.

This Operation Manual includes important notes on how you operate your machine safely, properly and economically.

Use not in compliance with the intended purpose may result in hazard to the operator's health and life and/or in the risk of damage to/the machine. Consequently, please only use the machine

- in good order and condition,
- in accordance with its intended purpose,
- in a safety-conscious manner, with awareness of risks and hazards,
- in compliance with all notes included in this Operation Manual.

The machine may only be operated by staff who

- has read the Operation Manual,
- has understood it,
- has been instructed in the operation of the machine, and
- has signed in the Annex.



Figures may include accessories/options. Customer-specific equipment may vary.

1.1 Target groups

The target groups of this Operation Manual are:

Owner

An owner is a natural person or entity using the device himself/herself/itself, or on whose behalf the device is used. An owner may appoint a representative to exercise the owner's rights and obligations.

The owner has to make sure that

- national provisions, occupational safety regulations and applicable environmental protection regulations are fully complied with;

- persons working on the machine are adequately qualified;
- persons working on the machine are suitable for operating the machine;
- the Operation Manual has been read and understood. One hardcopy of the Operation Manual must always be kept at a designated place where the machine is used.
- persons working on the machine are aware of potential risks;
- the operating staff is familiar with the location as well as with operating the fire alarm and fighting means. Free access to this equipment must be ensured.
- personal protection equipment is worn (safety footwear, protection gloves and safety glasses).

Machine fitters

Machine fitters must be at least 18 years old and have completed training for the task, i.e. they must have attended a specialist vocational training.

A fitter

- must observe the instructions in the Operation Manual;
- must inform the owner on failures and damage.

Operator

An operator is a person charged with and instructed in the proper operation of the machine by the owner or the otherwise contractually obliged person.

The operator

- must observe the instructions in the Operation Manual;
- must inform the owner on failures and damage.
- must not perform and maintenance or repair work on the machine.

1.2 Storage

The Operation Manual is part of the machine and must be kept near the machine at all times. Upon disposal of the machine, the Operation Manual must also be handed over.

1.3 Name plate

The name plate is fixed on the machine back.

2 Safety instructions

2.1 Presentation of warnings

Warning notes in the Operation Manual warn against risks involved with the handling of the machine. Risk levels are identified as follows:

HAZARD!

The signal word HAZARD identifies an imminent hazard resulting in serious injuries or death. This warning is supplemented by a triangular hazard symbol.

WARNING!

The signal word WARNING identifies a potentially hazardous situation, which might result in serious injuries or death. This warning is supplemented by a triangular hazard symbol.

CAUTION!

The signal word CAUTION identifies a potentially hazardous situation, which might result in light injuries. This warning is supplemented by a triangular hazard symbol.

ATTENTION!

The signal word ATTENTION identifies a potentially hazardous situation, in which the product or property in the environment may be damaged. This warning is supplemented by a hazard symbol or an exclamation mark.

2.2 Intended use

This machine is a forming machine for industrial use, only suitable for the manufacture of hose connections with a permissible diameter depending on the fitting and the hose thickness, see “Technical Data” in Section 3.

Intended purposes include:

- single workplace for one person only,
- single stroke with manual feed and withdrawal,
- for maximum hydraulic operating pressure, see “Technical Data” in Section 3.
- operating temperature between 10 °C and 35 °C,
- operation in a closed room,
- use of eight identical original UNIFLEX dies with the same label or seven dies and one associated marking crimping die.
- The machine must not be operated by persons not capable of operating the machine without any risk. These may include:

- persons with physical or mental disabilities;
- children and persons under age;
- persons with a restricted capability for the operation of machines (e.g. under the influence of drugs, alcohol or narcotics)


Use of the control in compliance with the intended purpose also includes compliance with the instructions in this Operation Manual.

Use for other than the intended purpose

Any other use is considered as being not in compliance with the intended purpose, in particular:

- design modification of the machine;
- use in explosive environments;
- forming of non-metal workpieces without specific safeguards approved by UNIFLEX;
- misuse of consumables and waste materials.

In particular non-metal workpieces may be overstressed by the forming process so that this may result in a sudden failure. Chips or seriously accelerated workpiece parts impose a high risk potential for operators, individuals and objects, even outside the working area.

WARNING!	
	<p>Risk for life and health!</p> <p>Use not in compliance with the intended purpose imposes risks for life and health. Consequences resulting from use for other than the intended purpose shall be under the sole responsibility of the owner.</p> <ul style="list-style-type: none">• Always use the machine in compliance with its intended purpose.

2.3 Product-specific risks

The machine is designed in accordance with the latest state of technology. Nevertheless, the machine may impose risks:

2.3.1 Risks imposed by mechanical equipment

Risk of squeezing

When the die system closes, there is a risk of getting squeezed between the die and the workpiece.

- Keep the feed opening for the workpiece as small as possible.
- Keep sufficient distance to the die system.

Tilting hazard

The risk of tilting mainly exists while the machine is being transported.

- Observe the machine's centre of gravity during transport.

2.3.2 Risks imposed by hydraulic equipment

Risks are imposed by all hydraulic lines and connections. Hydraulic systems are subject to special safety provisions. Work on hydraulic equipment may only be performed by persons with expert knowledge of and experience with hydraulic equipment.

- After the machine is deactivated, the given and potentially hazardous residual energy has to be considered.
- Relieve the residual pressure in the system before performing repair or maintenance work on hydraulic systems.
- Regularly check lines and bolted connections for leaks and visible damage. Immediately remedy any damage detected.

Repair work on the hydraulic system of the machine or on its components may only be performed by UNIFLEX specialist staff.

2.3.3 Risks imposed by substances

Oils, greases and emulsions may penetrate the skin. When handling hazardous substances, oils and greases, the manufacturers' safety instructions have to be observed. Apply skin protection appropriate for the hazardous substances used.

2.3.4 Risks imposed by noise

The noise level meter acc. to IEC 804, Class 2, was calibrated before measuring.

The operation of the machine causes noise emissions of 70 dB(A) at the workplace. Noise protection is not required.

Higher noise emissions may occur when other machinery is simultaneously used at the workplace. The machine owner must provide for appropriate protection, e.g.

- instruct staff to wear ear protection,
- provide information/instructions on risks,
- identify hazardous areas,
- provide health monitoring.

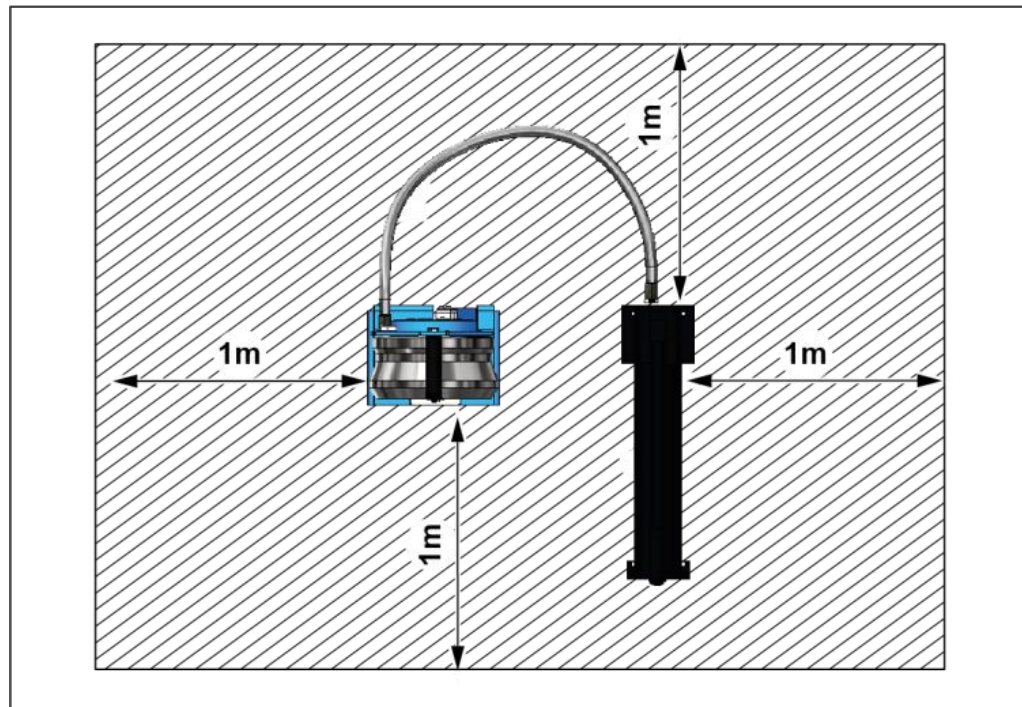
2.3.5 Risks in case of fire

The operating staff has to be familiar with the location as well as with operating the fire alarm and fighting means. Free access to this equipment must be ensured.

Never use water to extinguish a fire. For appropriate fire extinguishing action, please read the safety data sheet of the hydraulic oil supplier.

2.4 Safety

2.4.1 Working area



The working area is defined as the area 1 metre all around the machine (shaded).

- Keep the working area free from trip hazards
- Use ducts for lines and cables
- Provide good illumination

2.4.2 Protection equipment

Due to the variety of customer-specific workpieces, UNIFLEX is not capable of supplying additional standard protection equipment together with the machine for the prevention of potential residual risks imposed by the machine.

The necessity of additional, workpiece-specific protection equipment may for instance arise for angled workpiece geometries needing a large opening for being inserted into the forming machine. The pressure joining of insulators, structural steel and steel ropes, too, may require special safeguards.

The owner has to consider the need for adapted protection equipment before commissioning. If such need exists, the relevant protection equipment has to be mounted before commissioning of the machine.

UNIFLEX will provide you with customized solutions for protection equipment upon request. Please do not hesitate to address your personal contact for consultation.

Mounted safety equipment must not be removed, bypassed or avoided.

2.4.3 Warning signs on the machine



Risk of crushing
on the die system



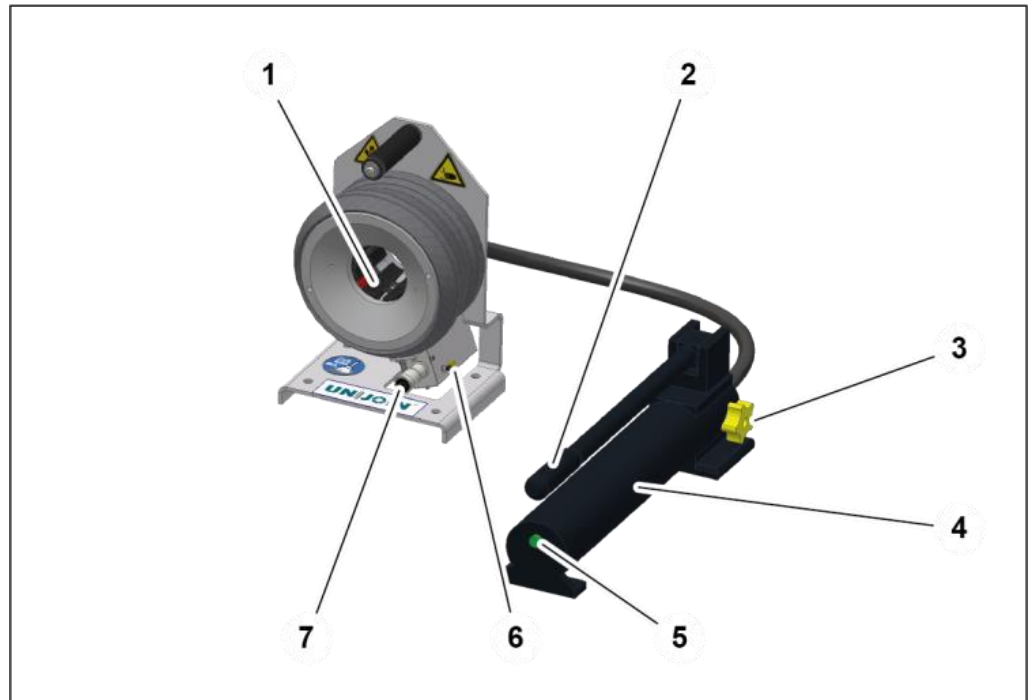
Risk of shearing
on the die system

Illegible or missing warning signs must immediately be replaced by the operator.

3 Machine description

3.1 Design and function

Base machine



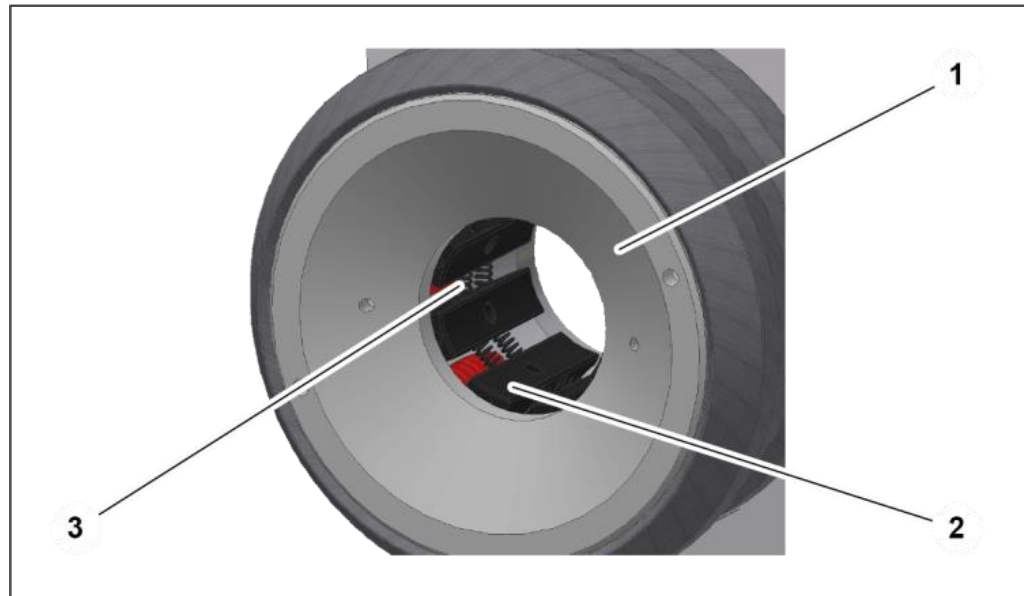
- (1) Crimping tool
- (2) Pump handle
- (3) Drainage valve hand wheel
- (4) Hydraulic hand pump
- (5) Oil filling and drainage screw
- (6) Signal lamp
- (7) Micrometer

The crimping tool (1) is closed hydraulically, whereby the work piece is formed. The pressure needed for this purpose is generated by the hydraulic hand pump (4) and transferred to the hollow piston. The signal lamp (6) lights up when the crimping diameter is reached. The crimping tool (1) is opened by slowly opening the drainage valve hand wheel (3).

The actual forming process is controlled (2) via the pump handle.

The micrometer (7) is used to change the final diameter of the die system.

Crimping tool



The die system comprises base dies and crimping dies.

All base dies are guided in the hollow piston. The crimping dies are plugged onto the base dies (2).

After the forming process, the base dies are pressed apart by the pressure springs (3) when the tool opens. The tool housing (1) leads the base dies axially in the tool.

Accessories

The machine can be fitted with accessories. A list of the available accessories is included in the Annex, Section "Accessories".

3.2 Forming process

There is one type of forming:

- Forming to a defined diameter

Forming to a defined diameter

This is the standard process for forming to produce hydraulic hoses. The crimping tool closes until it reaches a pre-set diameter, regardless of the required forming force. The required forming force may be up to the machine's maximum capacity.

WARNING!



Risk of injuries!

In particular non-metal workpieces may be overstressed by the forming process so that this may result in a sudden failure. Chips or seriously accelerated workpiece parts impose a high risk potential for operators, individuals and objects, even outside the working area!

- Relevant workpieces should only be formed using specific safeguards.

ATTENTION!



Risk of damage to machinery!

The machine lifetime is reduced with a high permanent load, while wear increases disproportionately. Forming machines for servicing are not intended for permanent operation and are not suitable for series production.

- Do not perform more than 200 **crimping actions** per day.

3.3 Technical data

Tool

Dimensions L x W x H	217 x 165 x 350 mm
Machine weight	approx. 29 kg

Hand pump (depending on model)

Dimensions L x W x H	approx. 480 x 150 x 170 mm
Weight of hand pump	approx. 8 kg

Function

Forming force	900 kN / 90 t
Max. forming range	Ø crimping dies + 8 mm (max. outside diameter of the fittings before the forming process)
Maximum Ø crimping dies	63 mm
Opening size without dies	77 mm
Opening distance	+22 mm

Work piece capacity

SAE R12 / 4SP 1 Part fittings	1", depending on the fitting
SAE R15 / 4SH 2 part fittings	¾", depending on the fitting
Industry	1 1/4"
90° bend	1", depending on the fitting
Die type	263

Hydraulic system

Oil volume	approx. 0.75 l
Oil type	HLP 22, DIN 51524, 10µ filtered
System pressure	max. 700 bar

Workbench

Solid, plane workbench with a carrying capacity of approx. 500 kg

We recommend industrial flooring meeting the following structural requirements

Permanent floor loading	Approx. 0.07 kg/mm ²
Floor carrying capacity	Min. 2500 kg/m ²
Floor quality	B25
Evenness	Max. unevenness 5 mm/m
Inclination	max. 5 mm/m

Ambient conditions

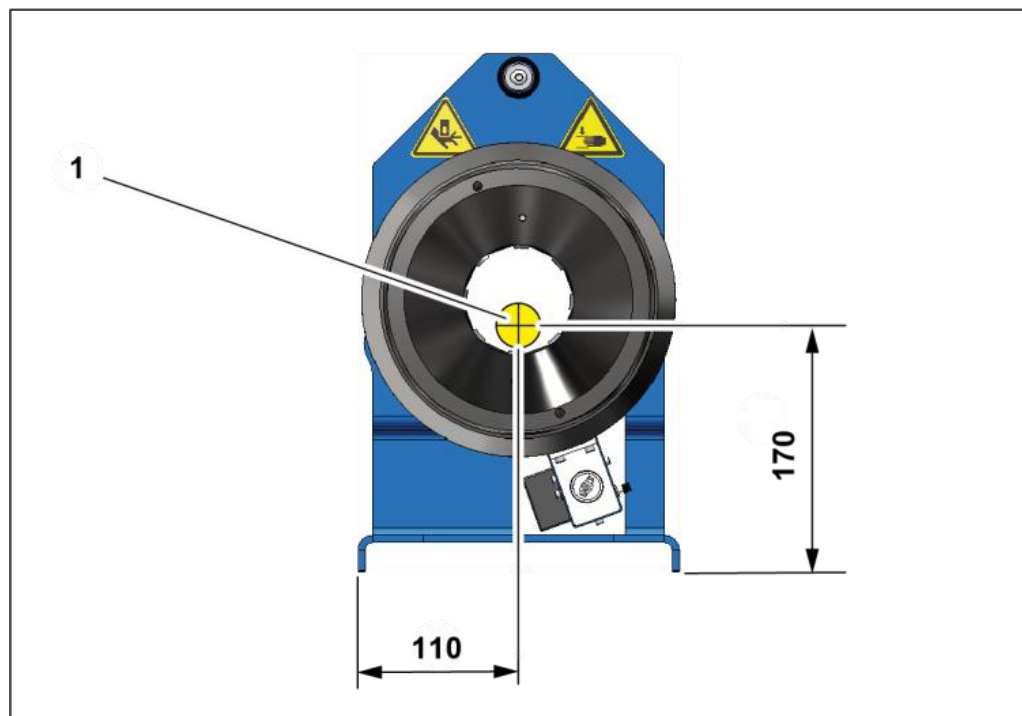
Ambient temperature	10 °C – 35 °C
Air humidity	45 % – 65 %

The * data are theoretical/computed values, or values measured on a prototype. Actual values may vary slightly, depending on the machine.

4 Transport and commissioning

4.1 Transport

The goods should be transported in the original packaging. During transport, the goods must be secured safely within the packaging. All applicable laws and regulations relating to securing loads shall be observed during transport.



The machine can only be transported manually. For machine weight, please refer to "Technical data" in Section 3.




WARNING!



Danger from falling loads!

Risk of injury from falling loads.

- Do not stand under suspended loads.

WARNING!	
	<p>Danger from increased load weights!</p> <p>The machine has a weight of over 25 kg.</p> <ul style="list-style-type: none">• Transport the machine with two persons.• Use transport aids.
WARNING!	
	<p>Risk of injuries!</p> <p>During machine and hand pump transport, there is a risk of damage to the hose and pump.</p> <ul style="list-style-type: none">• Transport the hand pump at the handle only.• Transport the machine at the handle only.
WARNING!	
	<p>Risk of injuries from leaking oil</p> <p>Oil spills impose a risk of slipping and injury as well as a risk of environmental damage.</p> <ul style="list-style-type: none">• Close the oil filling plug/bleed screw before transport.

1. Close the oil filling plug/bleed screw before transport.
2. Lift the machine and hand pump manually at their handles and transfer them to the installation site.

4.2 Intermediate storage of machine

If the machine cannot be mounted immediately upon delivery, it must be protected against:

- Contamination,
- Weather influences,
- Mechanical damage.

The machine components may only be stored in closed rooms and under the following conditions:

- temperature between 10°C and 45°C,
- maximum air humidity 80% (non-condensating).

4.3 Commissioning

The machine is commissioned by the customer's fitter.

1. Place the machine and hand pump on a stable and level workbench.
2. The hand pump must be placed level.



The workbench must be sufficiently solid and stable.



Place the machine in a way so that it is easily accessible for maintenance work from all sides.

3. Check the machine and hand pump for damage.
4. Check the hydraulic piping for damage.
5. Train the operating staff and record training sessions in "Declaration of trained staff", Section 9.

WARNING!

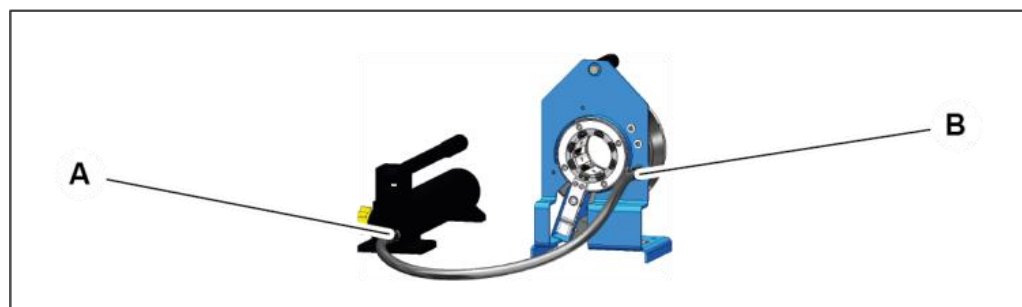


Risk of injuries!

Machine components might loosen during transport. Such components might be flung out during to the forming process. There is a risk of being injured.

- Open and close the machine several times without any work-piece.
- Check the machine for atypical noise.

4.3.1 Connect hand pump



1. Remove the protective caps on the hand pump.

2. Remove the protective caps on the machine.
3. Connect A and B by means of a hose.

WARNING!



Risk of injuries!

Incorrect installation will cause the risk of leakage on the hose.

- The hose is to be installed by a qualified hydraulic engineer.

4.3.2 Filling hydraulic oil

The UNIFLEX forming machine is delivered with hydraulic oil filling.

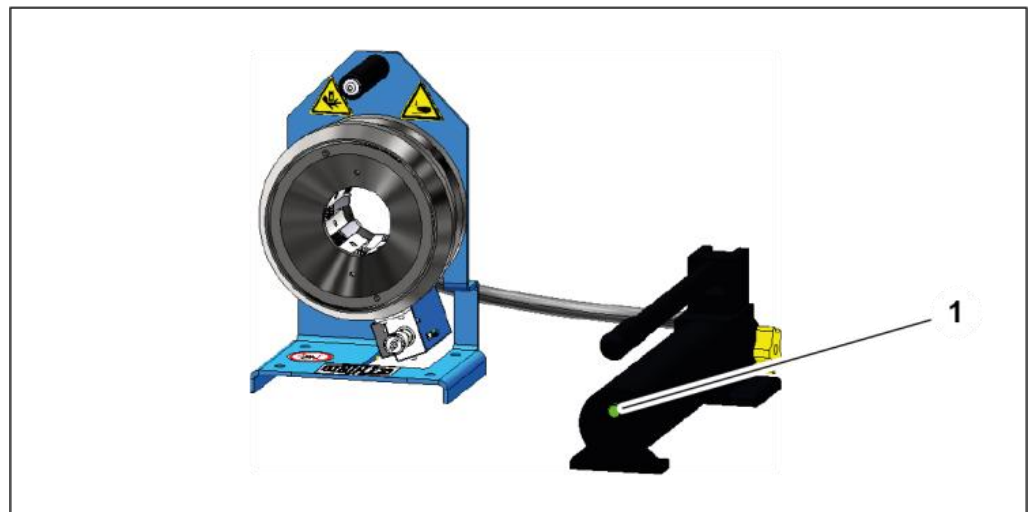
ATTENTION!



Risk of damage to machinery!

Hydraulic oil may leak during transport.

- Check the oil level.



CAUTION!



Risk of injuries!

Contact with hydraulic oil and other consumables imposes a risk of injuries for the skin, eyes, respiratory and intestinal tracts! Hydraulic liquid spills impose a danger of slipping and falling!

- Observe supplier's protection and safety instructions (see data sheet).
- Wear personal protection equipment.
- Do not eat, drink or smoke in the working area and when handling consumables.
- Ensure good ventilation.
- Avoid floor contamination.

ATTENTION!



Risk of fire!

Hydraulic liquid spray or spills impose a risk of fire.

- Avoid ignition sources (welding, cutting and soldering work) near the hydraulic oil filling.

1. Open the oil filling screw / bleed screw (1).
2. Add hydraulic oil; for quantity and type, please refer to "Technical data" in Section 3.
Fill the tank up to the bottom edge of the oil filling plug/bleed screw.



The pump must be completely level during filling.

3. Close the oil filling screw / bleed screw (1).
4. Do not operate the machine for a minimum of four hours so that the dirt particles in the system may settle.

4.3.3 Filling hydraulic oil

The forming machine is delivered with hydraulic oil filling.

ATTENTION!



Risk of damage to machinery!

Hydraulic oil may leak during transport.

- Check the oil level.



CAUTION!



Risk of injuries!

Contact with hydraulic oil and other consumables imposes a risk of injuries for the skin, eyes, respiratory and intestinal tracts! Hydraulic liquid spills impose a danger of slipping and falling!

- Observe supplier's protection and safety instructions (see data sheet).
- Wear personal protection equipment.
- Do not eat, drink or smoke in the working area and when handling consumables.
- Ensure good ventilation.
- Avoid floor contamination.

ATTENTION!



Risk of fire!

Hydraulic liquid spray or spills impose a risk of fire.

- Avoid ignition sources (welding, cutting and soldering work) near the hydraulic oil filling.

1. Open the oil filling screw / bleed screw (1).
2. Add hydraulic oil; for quantity and type, please refer to "Technical data" in Section 3.
Fill the tank up to the bottom edge of the oil filling plug/bleed screw.



The pump must be completely level during filling.

3. Close the oil filling screw / bleed screw (1).
4. Do not operate the machine for a minimum of four hours so that the dirt particles in the system may settle.

5 Operation

5.1 What you have to observe

The operator has received the Operation Manual from the owner, has read and understood it and will observe it.

Before starting and/or re-starting

- Ensure sufficient illumination of the working area of the machine.

During operation

- Observe the safety instructions on the machine.
- Make sure that no other persons stay in the working area.
- Use appropriate aids to handle heavy workpiece.
- Each movement of the hand must be observed.
- Eating, drinking and smoking at the workplace is prohibited.
- Wear close-fitting clothes.
- Do not wear watches or jewellery.

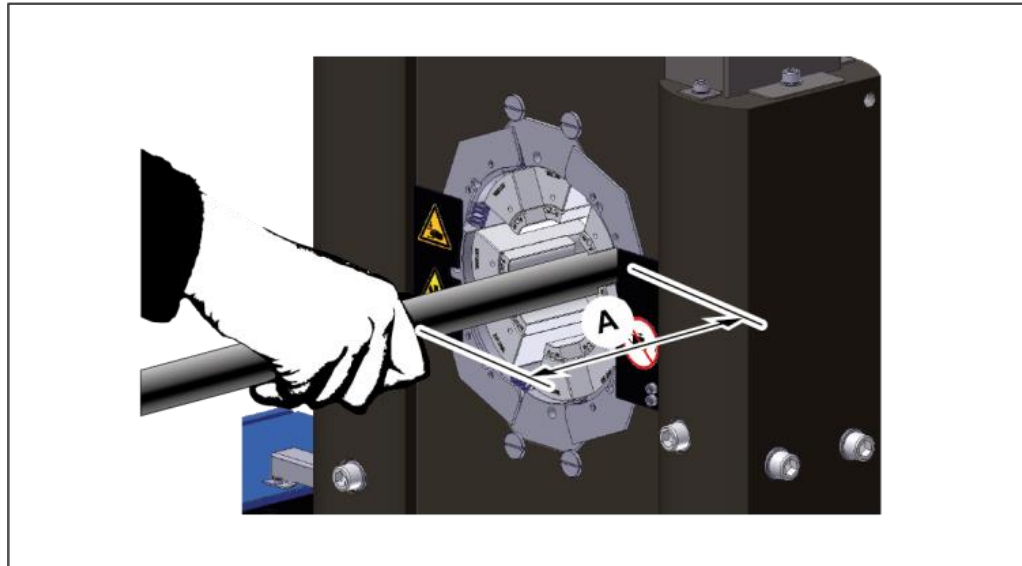
5.2 Forming the workpiece

5.2.1 Prerequisites

Prerequisites for a correct forming process:

- The die system and the workpiece are compatible.
- The proper jaw system is correctly mounted in the tool.
- The forming dimension is set correctly, please also refer to “Setting the forming dimension”, Section 5.
- Preferably form the workpiece in the centre of the crimping die length. Eccentric forming will result in a conical forming result and increased lopsided wear on the die system and the bearing plates.

5.2.2 Hand pump operation mode



WARNING!



Risk of squeezing!

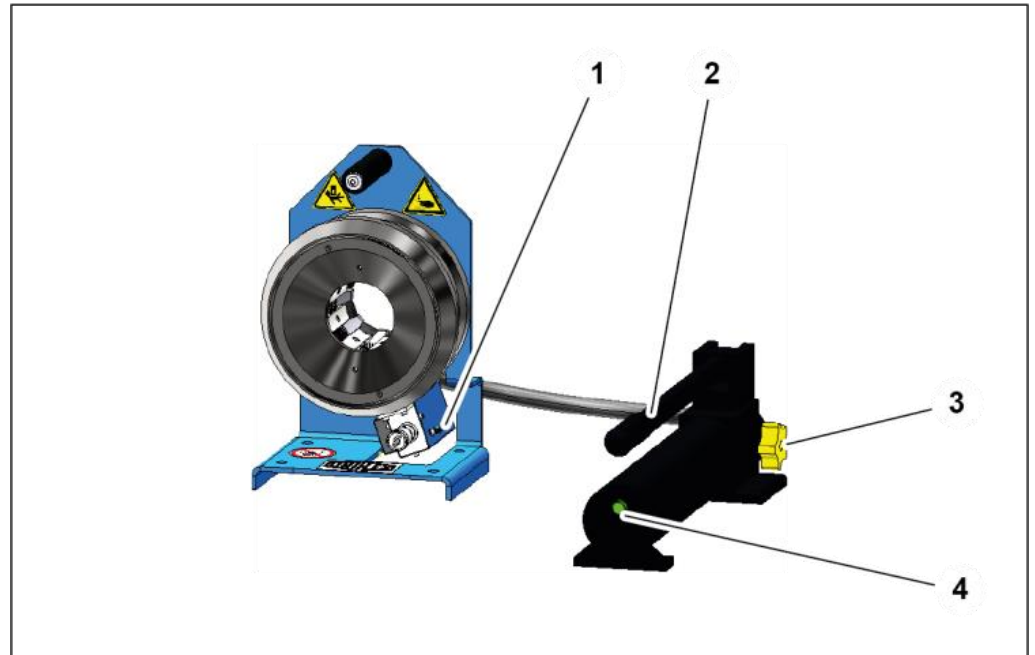
When the die system closes, there is a risk of getting squeezed between the die and the work piece.

- Keep the feed opening for the workpiece as small as possible.
- Keep a minimum distance of 120 mm (A) to the die system.

The pumps provides for a two-stage flow. Without load, the pump operates in the first stage with a high flow for rapid closing. As soon as there is load contact, the pump automatically changes to the second stage to build up pressure.

As soon as the pump pressure reaches about 280 bar, pumping must be stopped briefly, and the handle must be lifted to switch to the second stage (high pressure). When the pump has switched, less power is needed for pumping.

The drainage valve hand wheel (2) must be closed for forming.



1. Open the oil filling screw/bleed screw (4) by a full turn to balance the air pressure in the oil tank.
2. Manually position the pre-mounted work piece in the tool.
3. Hold the work piece with one hand during the forming process.
4. Operate the pump handle (2) until the signal lamp (1) lights up.
The crimping dimension is reached.
5. Stop pumping.



Keep the drainage valve hand wheel closed longer for large fittings (manual holding time).
Holding time = time interval in which the plastic forming of the work piece is completed.

6. Slowly open the drainage valve hand wheel (3).
7. Remove the work piece from the tool.
8. Check the forming dimension after the first forming process.
Correct the forming dimension if there are any deviations between the actual dimension and the specified dimension (see "Setting the forming dimension" in Section 5).

WARNING!

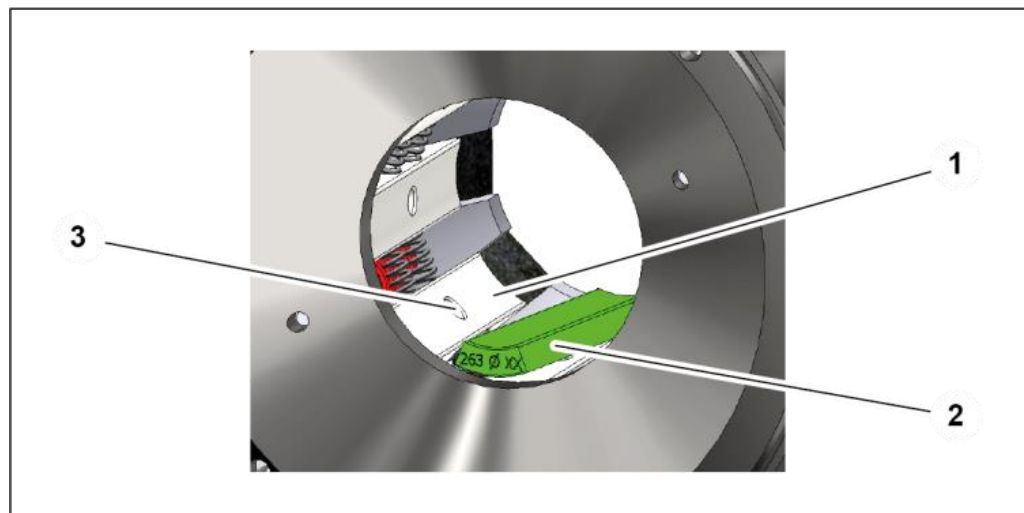


Risk of squeezing!

When the die system closes, there is a risk of getting squeezed between the die and the work piece.

- Open the crimping tool only so much that the hose may be inserted and/or removed easily.

5.3 Changing the crimping dies



Positioning the crimping dies

1. Completely open the crimping tool.
Slowly open the drainage valve hand wheel.

WARNING!



Risk of squeezing!

When the die system closes, there is a risk of getting squeezed between the dies.

- Only replace the crimping dies when the machine is switched off.
2. Using the retaining bolt, insert the crimping die (2) into the mounting hole (3) of the base die (1).
 3. Insert all eight crimping dies (2) one after the other.



Always use a complete set of equal crimping dies with the same identification and diameter. One set comprises eight crimping dies or seven crimping dies and one matching marking die.

Removing the crimping dies

1. Completely open the crimping tool.
Slowly open the drainage valve hand wheel.

WARNING!

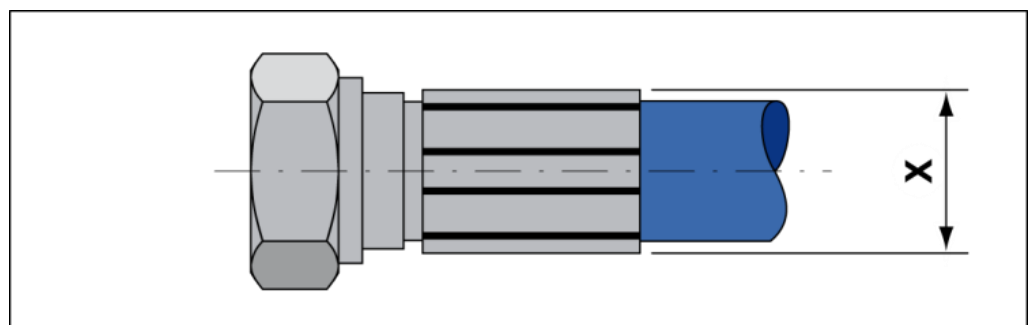


Risk of squeezing!

When the die system closes, there is a risk of getting squeezed between the dies.

- Only replace the crimping dies when the machine is switched off.
2. Manually turn the crimping die to be moved (2) by 30°. This loosens the retaining bolt in the mounting hole.
 3. Remove the crimping die concerned.
A flat-head screwdriver can be used for assistance. For this purpose, position the flat-head screwdriver between the base die and crimping die and carefully extract the crimping die.
 4. Remove all eight crimping dies (2) one after the other.

5.4 Setting the forming dimension



The forming dimension (X) must be set specifically for the work-piece.

1. Read the forming dimension in the forming dimension table of the system supplier, e.g. $\text{Ø } 17.4 \text{ mm}$.
2. Select crimping dies with a smaller or the same diameter, e.g. $\text{Ø } 17 \text{ mm}$,
3. Place the crimping dies in the tool.

4. Set the control and/or micrometer to the requested dimension:
Control system: Forming dimension diameter
Micrometer: Workpiece forming dimension less crimping die diameter
5. Form the workpiece.
6. Check the workpiece.
7. If the dimension is reached: manufacture other identical workpieces.
8. If the dimension is not reached: Adjust difference on control and/or in the micrometer, repeat the forming process and check the workpiece.

5.5 Completing the forming process

1. Complete the forming process.
2. Deposit the work piece outside the machine.
3. Check signal lamp function by pressing the pushbutton.
4. Check the machine for contamination, leaks and external damage.
5. Check the crimping tool and retaining bolts for contamination, damage and secure fitting.
6. Check the oil level.
7. Remove contamination, dust and chips using a vacuum.



Inform the fitter in case of damage or other irregularities.



Close the oil filling / bleed screw for transport.

5.6 Emergency stop


In case of an emergency

Immediately open the drainage valve hand wheel in cases of emergency.

Restart after and emergency

1. Remedy the cause of the emergency stop.

5.7 Cleaning

ATTENTION!	
	<p>Risk of damage to machinery!</p> <p>If the machine is cleaned with a steam jet or compressed air, dirt and water may ingress in the machine and cause serious damage.</p> <ul style="list-style-type: none">• Do not use a steam jet to clean the machine.• Do not use compressed air to clean the machine.

1. Vacuum the machine from metal abrasion (crimping scale) in the opened crimping tool, or use a soft cloth to clean it. For this purpose, remove the crimping dies and the intermediate dies.

6 Maintenance

Regular maintenance will ensure the continuous operation reliability of the machine.

6.1 What you have to observe

This section describes activities to be performed by you as the operator at regular intervals to ensure smooth operation of the machine.

- Maintenance work may only be performed by qualified maintenance staff (fitter).
- Repair work on the machine or components may only be performed by appropriately qualified expert staff or UNIFLEX experts!
- Welding, flame-cutting and grinding work on and in the machine and its environment must be approved in advance. There is a risk of fire. The machine must be cleaned from dust and inflammable substances. Adequate ventilation must be ensured.

6.2 Maintenance schedule

If not specified otherwise, inspections listed in the maintenance schedule are visual inspection. Replace defective parts immediately.

If you work in 2 shifts, the check frequency has to be doubled. If you work in 3 shifts, you proceed as with 2-shift operation.

Record maintenance work performed in the maintenance log.

Maintenance item	Daily	Weekly	Monthly	Every 6 months	Number of years
Hydraulic system					
Hydraulic energy lines – hoses: Check for porosity and leaks.	X				

Maintenance item	Daily	Weekly	Monthly	Every 6 months	Number of years
Hydraulic energy lines - bolted connections of hoses and pipes: Check for leaks. * And after each relocation of the machine.	X*				
Hydraulic oil: Check oil level, add oil if required (see "Replacing hydraulic oil" in Section 6).			X		
Hydraulic oil: Replace					1
Hydraulic hoses: Have replaced (DIN 20066) no later than six years after manufacture (see label). Make sure that replacement hoses are of equivalent quality (high-pressure hoses).					6
Crimping tool					
Crimping tool: Check for damage and wear.			X		
Retaining bolt: Check for damage.			X		
Sliding surfaces of base dies: Apply MoS2 lubricant (see "Lubricating sliding surfaces" in Section 6).	X				
Pressure springs between base dies: Check for damage.				X	
Check all bolted connections for secure fitting and retighten if necessary.					1
Safety equipment					
Signal lamp: Check function.	X				
Warning signs on the machine: Check legibility (see "Warning signs on the machine" in Section 2).				X	



Hydraulic oil changes and wear part replacements must be recorded in the maintenance log!

6.3 Hydraulic oil change

CAUTION!



Risk of injuries!

Contact with hydraulic oil and other consumables imposes a risk of injuries for the skin, eyes, respiratory and intestinal tracts! Hydraulic liquid spills impose danger of slipping and falling!

- Observe supplier's protection and safety instructions (see data sheet).
- Wear personal protection equipment.
- Do not eat, drink or smoke in the working area and when handling consumables.
- Ensure good ventilation.
- Avoid floor contamination.

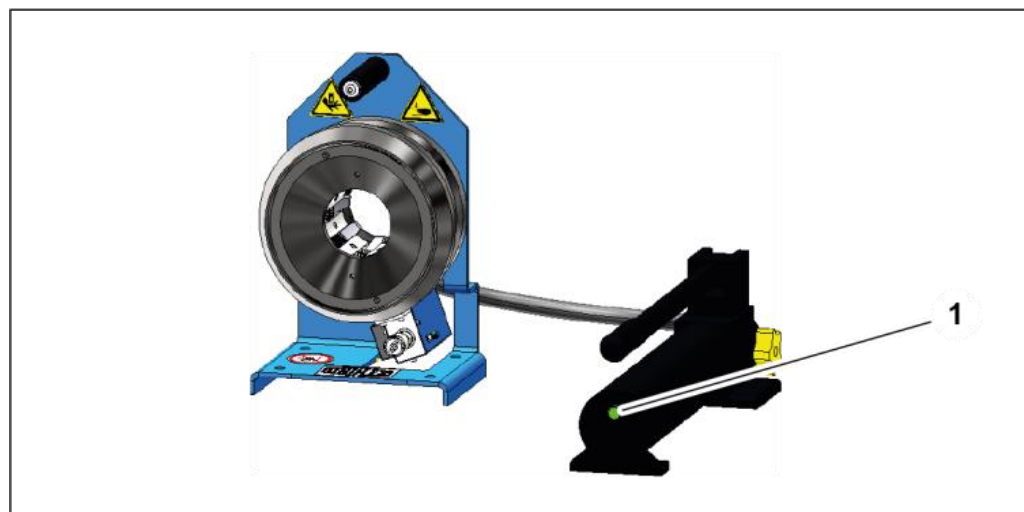
ATTENTION!



Risk of fire!

Hydraulic liquid spray or spills imposes a risk of fire.

- Avoid ignition sources (welding, cutting and soldering work) near the hydraulic oil filling.



1. Open the oil filling screw (1).
2. Pump out hydraulic oil using an external pump.
3. Add new hydraulic oil (see "Technical Data" in Section 3).



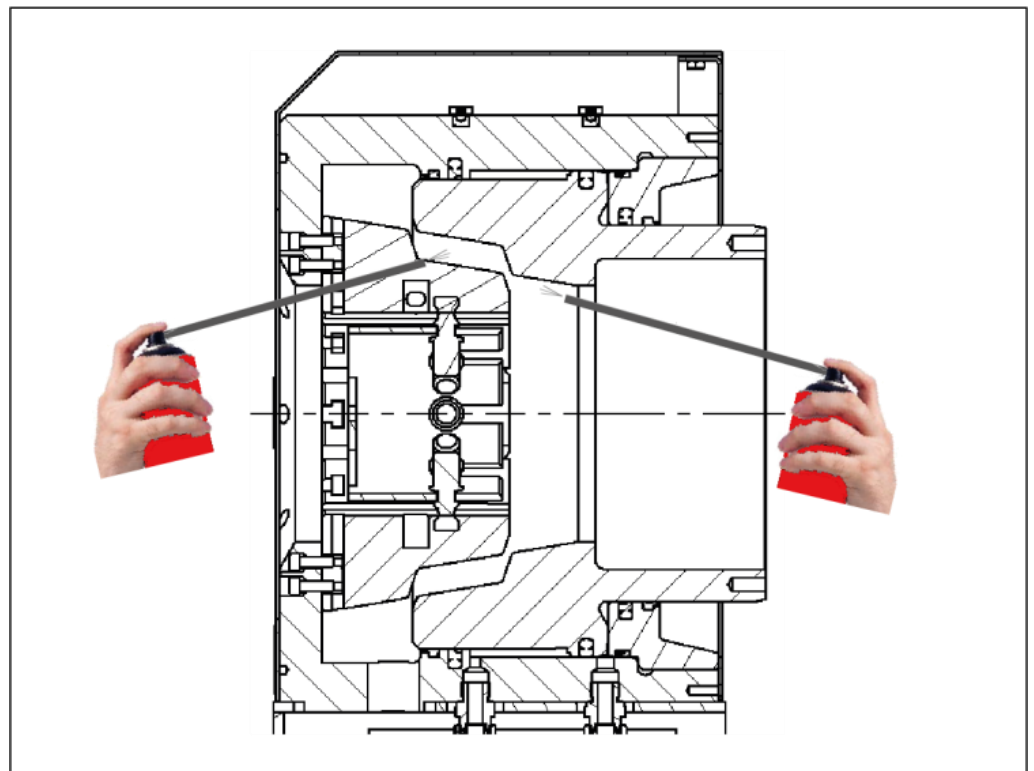
The hand pump must be completely level during filling.

4. Close the oil filling screw (1).
5. Do not operate the machine for a minimum of four hours so that the dirt particles in the system can settle.
6. Run the tool several times to bleed the hydraulic oil system.



Dispose of the oil in compliance with the applicable local environmental protection regulations.

6.4 Lubricating sliding surfaces



1. Clean the machine, see “Cleaning” in Section 5.
2. Open the machine completely.
3. Clean the hollow piston.
4. Spray all sliding surfaces of the hollow piston from the front and back with MoS₂ lubricant.

ATTENTION!



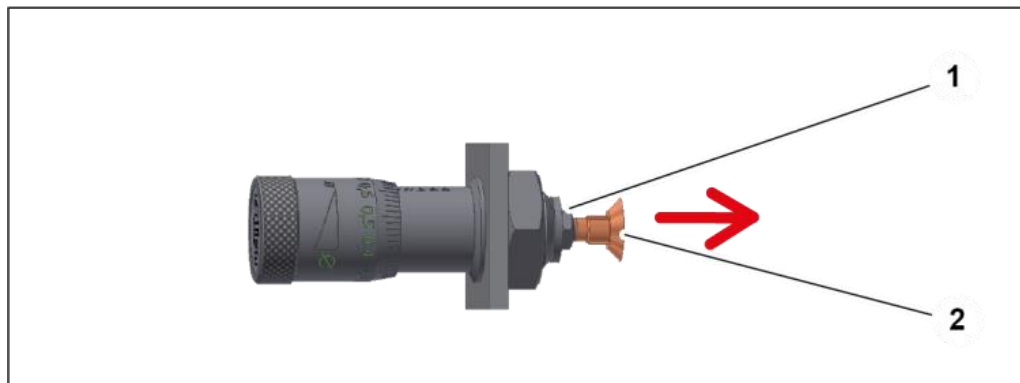
Risk of damage to machinery!

Sliding surfaces which are not lubricated and dirt particles between the base dies and sliding surfaces will result in damage to the machine and inaccuracies in the forming dimension.

- Ensure daily lubrication of the hollow piston.
- Remove any dirt particles between the base dies and sliding surfaces. Tool 235.5 can be used for this purpose.

6.5 Micrometer adjustment

If the measured forming dimensions of the workpiece deviate from the forming dimensions of the crimping die when the micrometer is set to zero, the micrometer must be readjusted.



1. Release the screws on the cover.
2. Remove the cover (see “Annex” in Section 9).
3. Loosen the counter-nut (1) of the contact screw (2).
4. Adjust the contact screw (2).



1.6 revolutions of the contact screw correspond to 1 mm change in the forming dimension.

5. Remount the enclosure/front panel.
6. Test the crimping process and readjust if necessary.

6.6 Replacing the battery




1. Loosen the two bolts on the lateral battery box.

2. Replace the battery.
3. Remount the battery box.

7 Troubleshooting

Error	Cause	Remedy
Machine does not close/open	Insufficient amount of hydraulic oil	Refill oil
	Drainage valve hand wheel not closed completely	Close drainage valve hand wheel
	Hand pump defective	Check hand pump
Hand pump cannot hold pressure	Hydraulic bolted connections leak	Check hydraulic bolted connections for leakage
	Cylinder seals may leak	Contact Service desk
	Drainage valve hand wheel not closed completely	Close drainage valve hand wheel
Machine forms unevenly/conically	Incorrect lubrication	Check lubrication, if necessary lubricate sliding surfaces (hollow piston)
	Base dies damaged	Check base dies for damage and replace if necessary
	Crimping dies damaged	Check crimping dies for damage and replace if necessary
	Crimping area not centred	Preferably form the work piece in the centre of the crimping die length
Crimping dimension not achieved	Incorrect lubrication	Check lubrication, if necessary lubricate sliding surfaces (hollow piston)
	Oil pressure too low	Contact Service desk
	Incorrect crimping dies used	Check crimping die diameter and crimping die section and replace, if required (for crimping die section, please refer to "Technical data" in Section 3)

8 Decommissioning, disposal

CAUTION!	
	<p>Risk of injuries!</p> <p>Contact with hydraulic oil and other consumables imposes a risk of injuries for the skin, eyes, respiratory and intestinal tracts! Hydraulic liquid spills impose a danger of slipping and falling!</p> <ul style="list-style-type: none">• Observe supplier's protection and safety instructions (see data sheet).• Wear personal protection equipment.• Do not eat, drink or smoke in the working area and when handling consumables.• Ensure good ventilation.• Avoid floor contamination.
ATTENTION!	
	<p>Risk of fire!</p> <p>Hydraulic liquid spray or spills impose a risk of fire.</p> <ul style="list-style-type: none">• Avoid ignition sources (welding, cutting and soldering work) near the hydraulic oil filling.
CAUTION!	
	<p>Risk of injuries!</p> <p>Parts of the machine may be under pressure and/or tension. Loosening components may impose a risk of injuries!</p> <ul style="list-style-type: none">• De-pressurize the machine before performing any work and check for potential sources of hazard.

8.1 Dismantling

This section describes activities to be performed by you as the operator to ensure the safe dismantling of the machine.

- The device may only be dismantled by entrusted and qualified staff.
- Open the machine completely.
- Disconnect the machine from the compressed air supply.

- Depressurise the machine before dismantling it (deactivate the hydraulic pump and secure it against restart; operate valve manually, if any; open bolted hydraulic connections slowly and carefully).
- Check the device for mechanical tension and consider it during dismantling.
- Empty the machine of all consumables, see “Maintenance”, Section 6.

8.2 Recycling

The machine contains metal, hydraulic hoses, electric cables and electronic components, depending on the type.

As regards disposal, the applicable national environmental protection and waste disposal regulations have to be complied with.

8.3 Consumables and waste

Observe applicable national environmental protection and waste disposal regulations.

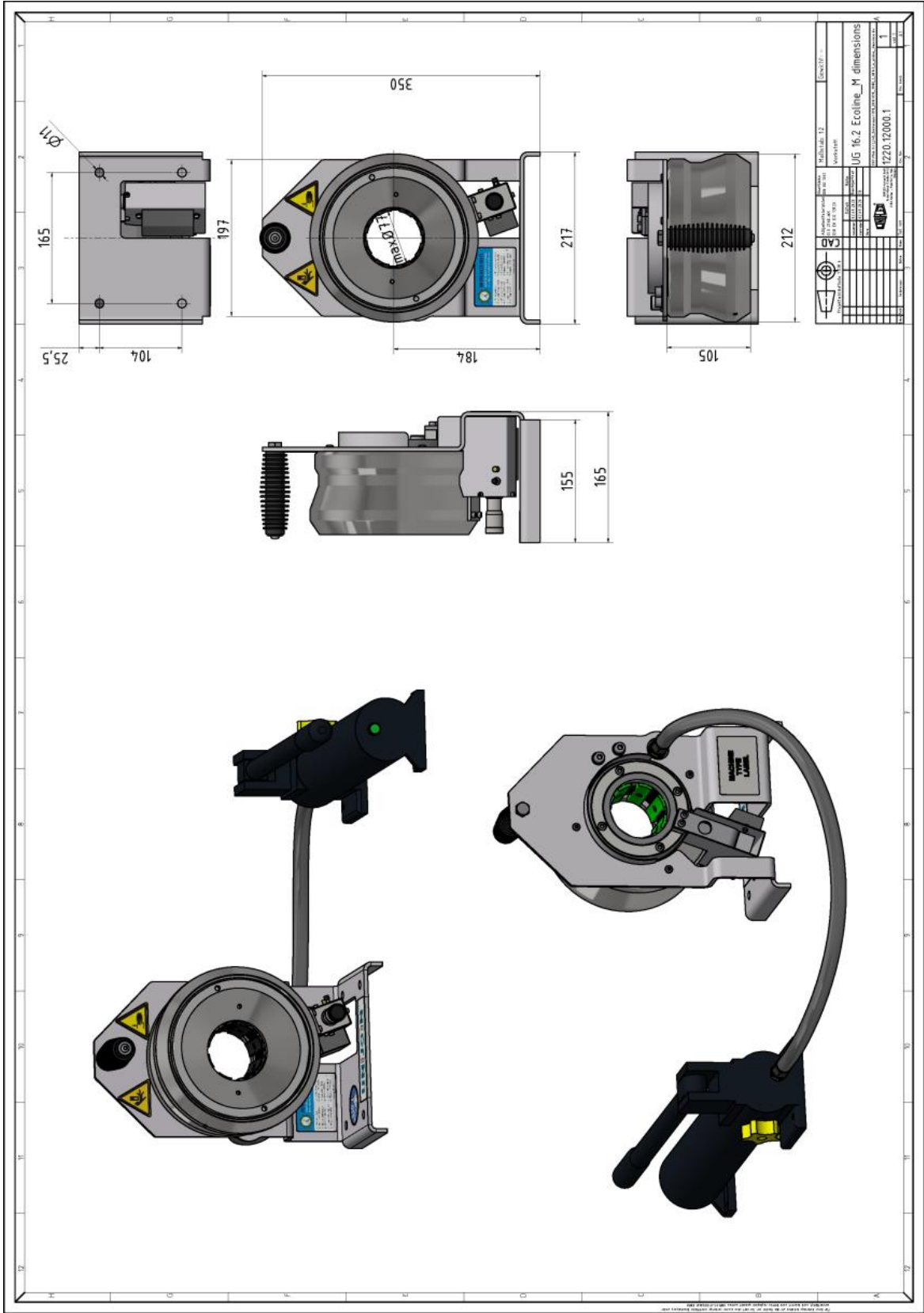
Return consumables, e.g. oils, greases, test media, to supplier - they are hazardous waste. Also observe the information given on the safety data sheet.

9 Annex



Individual machine components may deviate in their features. Please indicate the serial number of the machine for spare part orders.

9.1 Machine overview



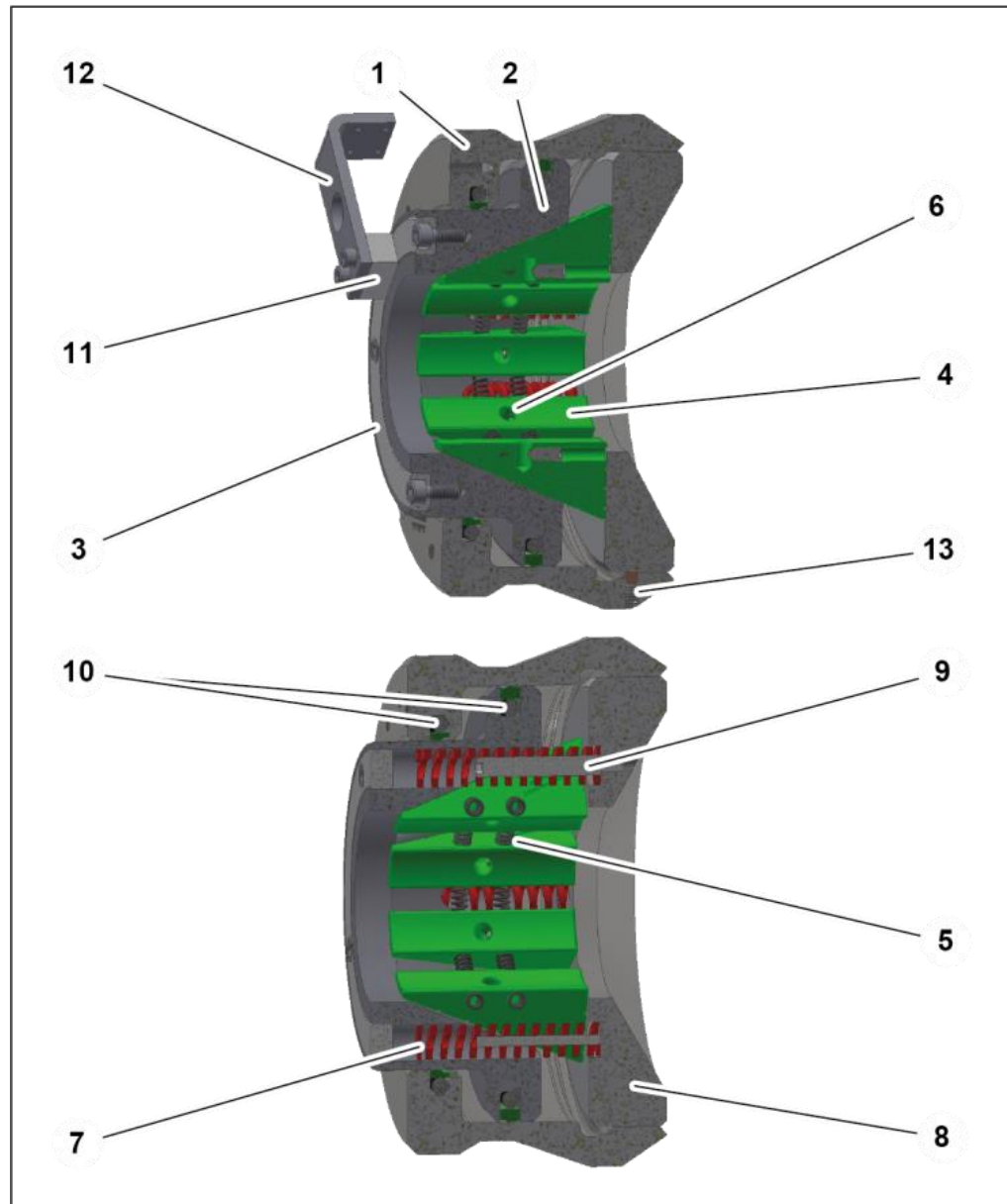
9.2 Accessories (retrofittable)

Accessories	Part code
Camera set	OCS 10.3 retro
Lamp with magnetic base	LUS/LUF
Universal table	TU
QDS 26x B	Crimping die case
PB 263	Crimping dies

Please contact our Sales department for ordering accessories.

9.3 Spare parts list

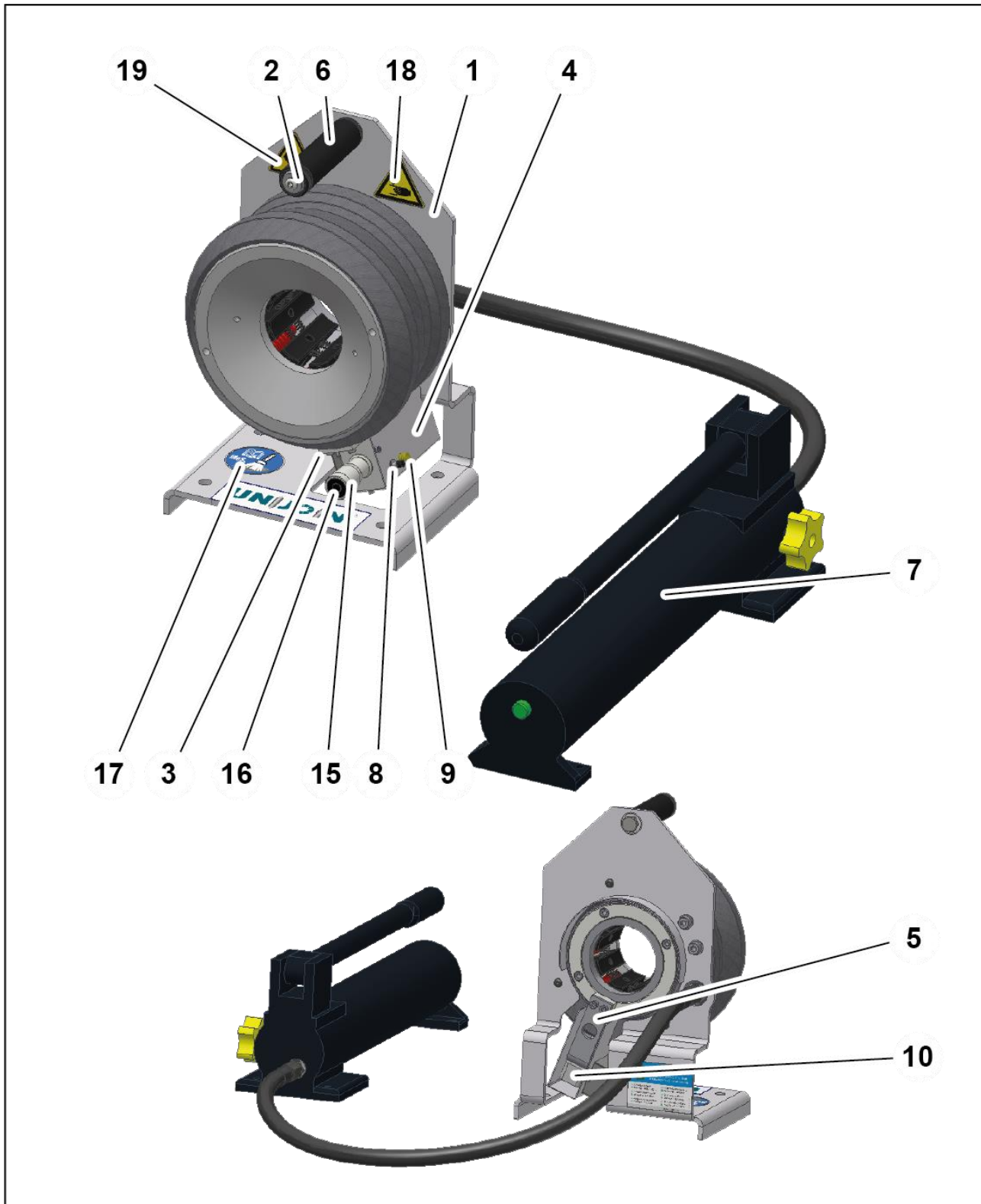
9.3.1 Tool



Item	Quantity	Part code	Designation
1	1	1.220.213.2	Cylinder case
2	1	1.220.010.1	Piston
3	1	262.222.3	Supporting ring
4	1	1220.19	Set of base dies (8 per set), service kit
5	16	273.3	Pressure spring, service kit
6	8	262.130	Pressure spring screw M6
7	8	262.036	Pressure spring

Item	Quantity	Part code	Designation
8	1	1.220.016.2	Front plate
9	2	262.023.4	Guide pin
10	1	262.2	Gasket set, service kit
11	1	262.025.4	Spacer plate
12	1	262.226.4	Bracket
13	1	239.907.4	Copper bolt/pressure piece

9.3.2 Mechanics and Pneumatics



Item	Quantity	Part code	Designation
1	1	262.286.2	Guiding plate
2	1	262.280.4	Handle bar

Item	Quantity	Part code	Designation
3	1	262.226.4	Bracket
4	1	262.232.3	Protective cover
5	1	262.221.4	Limit switch holder
6	1	777.130	Hollow handle
7	1	262.203	Hand pump
8	1	T 113 black	Pushbutton
9	1	888.428	Electroluminescent diode
No picture	1	173259	Block battery, 9 Volt
10	1	213.410.01	Limit switch
No picture	1	8.12.022	Battery clip
15	1	266.400.3	Crimping micrometer
16	1	211.501.3	Locking disc
17	1	777.173.4	Lubricate MoS2 sign
18	1	715.4	Squeezing risk warning sign
19	1	716.4	Warning of hand injuries sign









9.4 Spare parts kit

Quantity	Part code	Designation
1 item	1220.1130	Hollow piston tool UG 16.2
1 set	262.2	Gasket set S2
1 item	262.129.3	Retaining bolt, crimping die
1 set	1220.19	Spare parts kit, base dies for PB 263
1 item	173259	Block battery, 9 Volt
1 set	1220.3000	Hand pump, kit
16 per set	273.3	Spare parts set, die system springs
1 item	262.036	Pressure spring
1 item	235.116	MoS2 Graphite lubricating and assembly spray

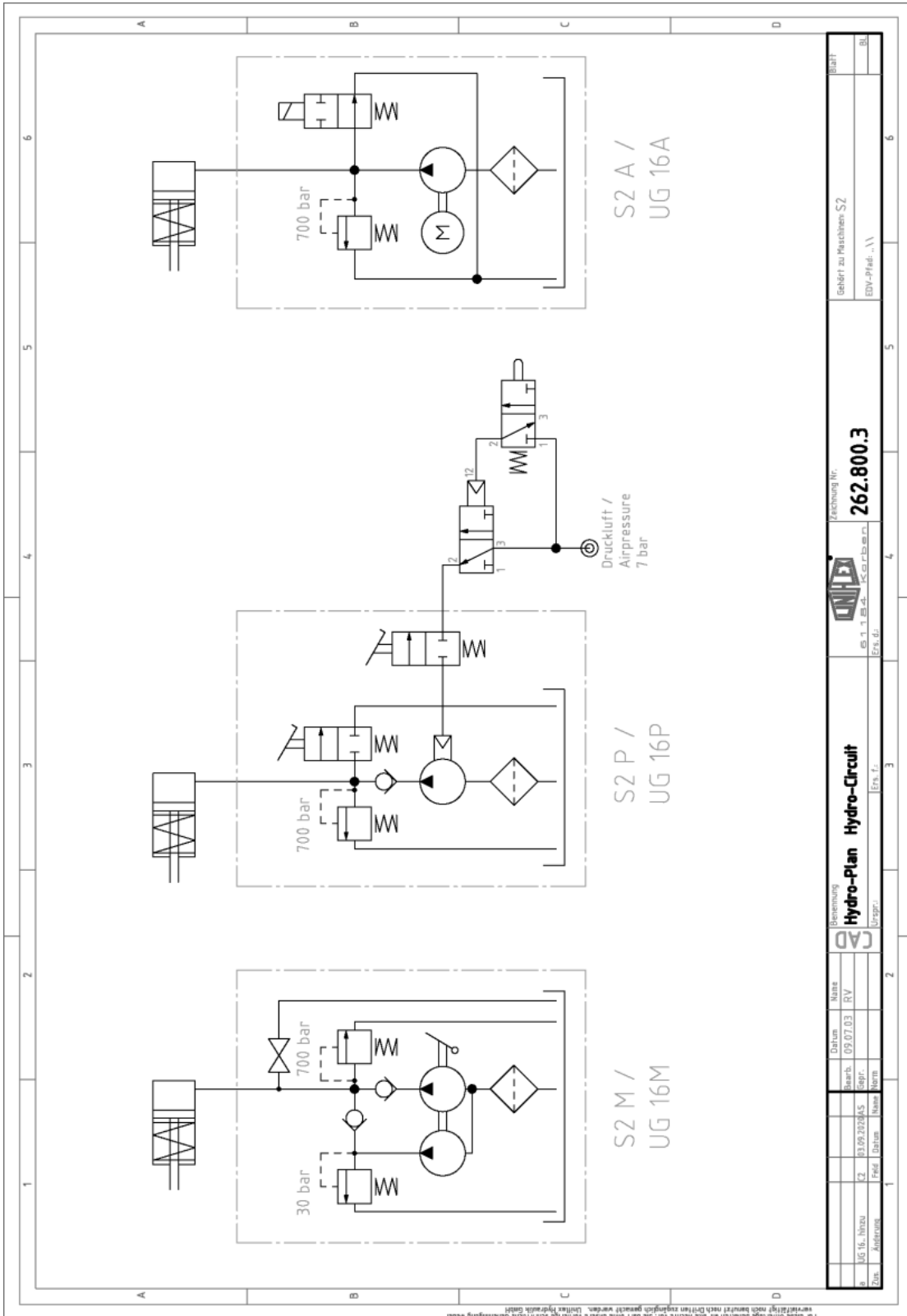
9.5 Service tool

Quantity	Part code	Designation
1 item	235.5	Magnet with retainer bar

9.6 Retaining bolt for standard crimping dies (depending on crimping die)

Retaining bolt	Crimping die profile									
	262	263	239	266	232	237	554	245	246	247
 262.104.4	x									
 262.129.3		x								
 239.041.4			x							
 239.041.4 (sw)			x							
 232.504.4				x	x	x				
 232.505.4					Ø96 / Ø103					
 220.502.4							x			
 245.114.4								x	x	x

9.7 Hydraulic diagram



Zus.		Änderung		Zus.		Änderung	
8	UG 16 - Inbau	12	03.09.2004S	8	UG 16 - Inbau	12	03.09.2004S
Benennung				Benennung			
CAD				CAD			
Hydro-Plan				Hydro-Plan			
Hydro-Circuit				Hydro-Circuit			
Ers. Nr.				Ers. Nr.			
262.800.3				262.800.3			
Zeichnung Nr.				Zeichnung Nr.			
262.800.3				262.800.3			
Gehört zu Maschinen S2				Gehört zu Maschinen S2			
EDV-Prod. \1				EDV-Prod. \1			
Blatt				Blatt			
1				1			

9.9 Declaration of qualified staff

I herewith declare that I have attended an internal training for the operation of the UNIFLEX machine and have been informed on all safety-related details. In addition I declare that I have read and understood this Operation Manual completely.

City	Date	Name	Signature
City	Date	Name	Signature
City	Date	Name	Signature
City	Date	Name	Signature
City	Date	Name	Signature
City	Date	Name	Signature

Notizen

Notizen

