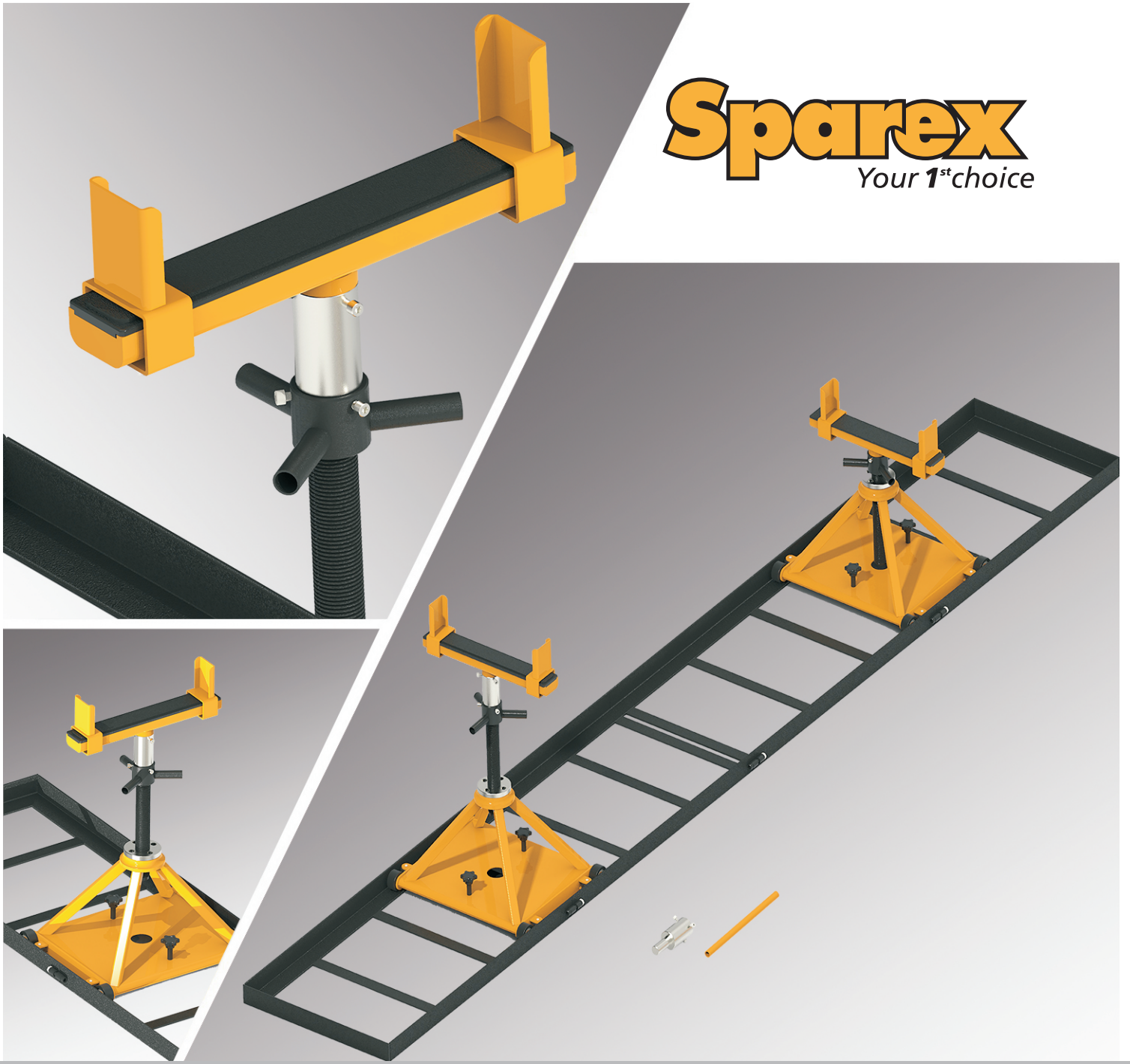


Sparex
Your 1st choice



CE

Tractor Separator Instruction Manual

Contents

Section I Introduction

1.0 Tractor Separator.....1

Section II Safety Guide

2.0 Warnings.....1

2.1 Operation Warnings.....1

2.2 General Safety Instructions.....2

Section III Product Overview & Specification

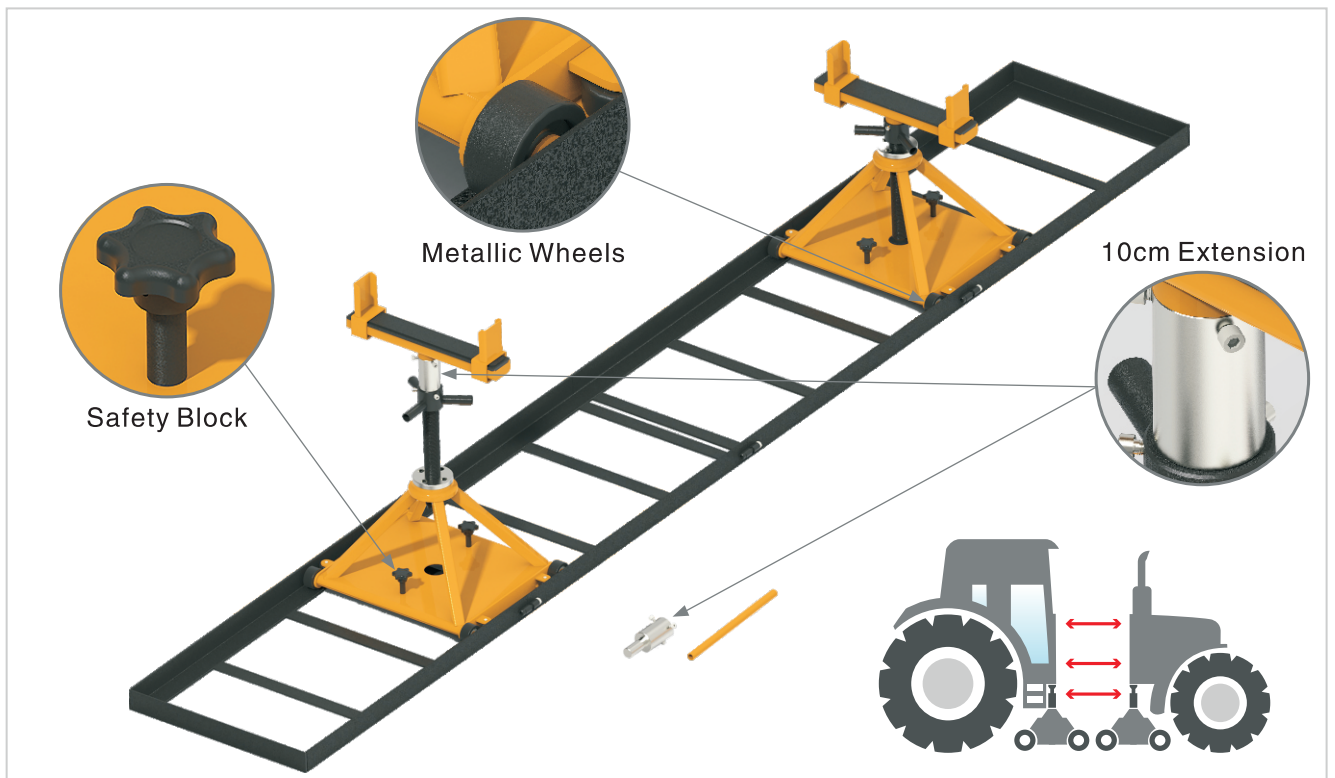
3.0 Product overview.....2

3.1 Specification.....2

Section IV Installation

4.0 Sliding Rail Installation.....3

4.1 Jack Stand Installation.....3



Section I Introduction

1.0 Tractor Separator

A tractor is mainly constructed in two parts, front–end with the engine and front axle, the rear section with the rear axle, cab and gearbox. The Tractor Separator is designed to separate these two parts effortlessly, efficiently and safe during maintenance, repair and inspection. This separator is constructed by using two jacks with a sliding rail which allows the jacks to move separately and freely on the rail. There are two side locking plates on the jack stands to adjust the fixing and position safely to the tractor. By rotating the adjustment screw with the support handle, to an adjustment height of between 500–740 mm. By using the 10 cm extension (4) this will increase the height to 600–840 mm.

Features:

- 4 meters slide rail for the movement of jacks stands.
- 2 Jacks stands and support fixings.
- 1 support handle to assist the adjustment.
- 2 Height extensions enabling the height to be increased by 10 cm.

Section II Safety Guide

2.0 Warnings

The operator must fully understand the warnings on this product. The warnings are designed to highlight the importance and precautions required.

DANGER: To draw the operator's attention to situation of which may endanger his or other peoples' safety.

CAUTION: To draw the operator's attention to the situation which may affect the performance of the separator.

IMPORTANT: To draw the operator's attention to good workmanship at all time.

It is important to follow the safety guide lines given by the warnings, which can be clearly seen and found on this product. If you require to update this warning, please contact the manufacturer.

THE MANUFACTURER IS NOT RESPONSIBLE FOR ANY CONSEQUENCES DUE TO THE OPERATORS NEGLIGENCE OF THESE WARNINGS OR IRREGULAR OPERATIONS.

2.1 Operation Warnings

Before using the product, the first thing to do is to understand the following instructions:



Before Operation

1. Carefully read thoroughly this operating instruction before you operate this tractor separator.



During Operation

2. The operator must ensure jack stands do not exceed the 10 Ton capacity on each jack. Especially pay attention to the situation of one stand being over loaded.



3. Always use safety locks at bottom of the jack stands to avoid accidental movement when not in use.

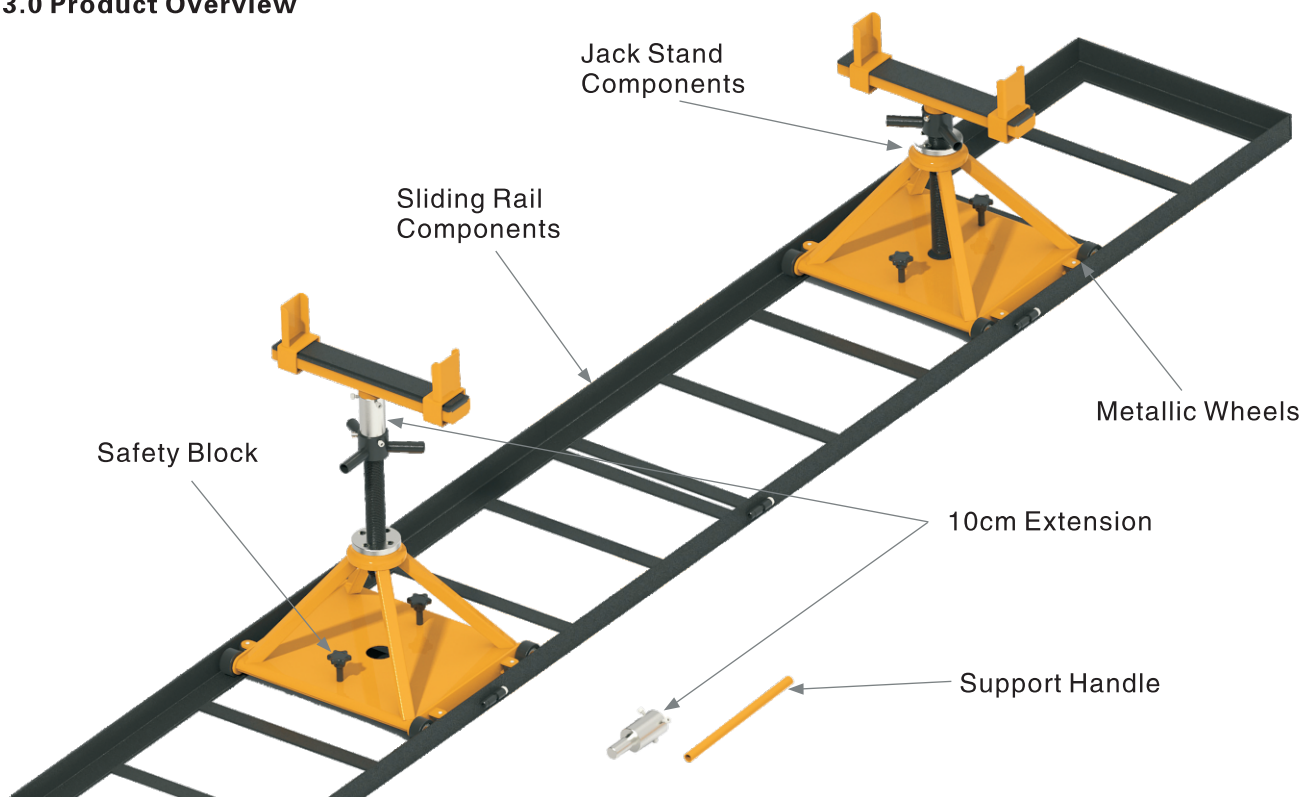
2.2 General Safety Instructions

While operating the tractor separator, one should pay great attention to the following safety points:

- The operator to be experienced in using this equipment, read the instruction manual carefully.
- Do not exceed the 10 Ton capacity per jack.
- Pay attention to avoid the situation that one jack stand may be overloaded while the other is still in load scope due to uneven weight of the tractor.
- The tractor separator must only be used on a clean level workshop floor.
- This tractor separator must not be used without the side safety locking plates (3) adjust the jacks under the tractor and fix side locking plates in position.

Section III Product Overview & Specification

3.0 Product Overview



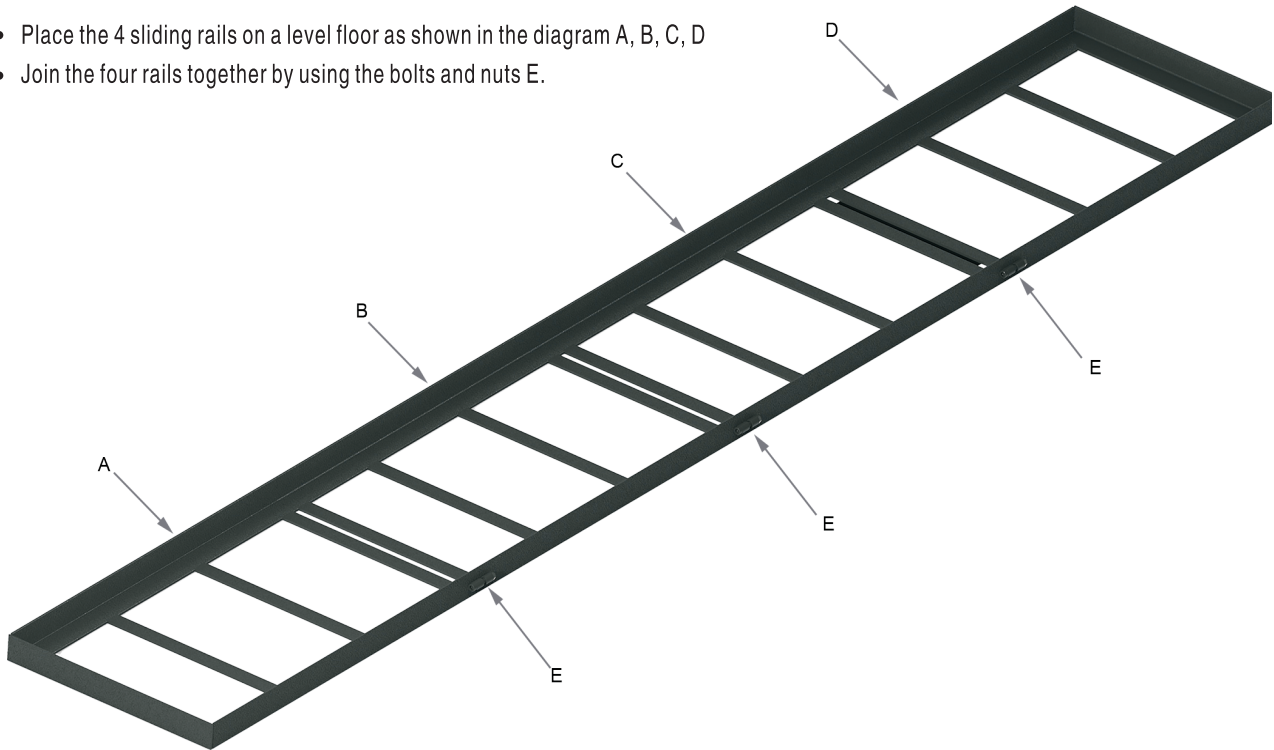
3.1 Specification

- G.W.: 155 KGS; N.W.: 130 KGS.
- Package size: 107*69*71 cm.
- Max. supported weight 10000 KGS, per jack stand.
- Min. Height: 500 mm / 600 mm (with extension).
- Max. Height: 740 mm / 840 mm (with extension).
- Rail Width: 600 mm.

Section IV Installation

4.0 Sliding Rail Installation

- Place the 4 sliding rails on a level floor as shown in the diagram A, B, C, D
- Join the four rails together by using the bolts and nuts E.



4.1 Jack Stand installation

- Slide the vertical top bracket (1) into the adjustment screw (2).
- Insert the side locking plates (3) to the top support bracket (1).
- 10 cm extension pillar (4) supplied to increase height if required.





Sparex Limited

Exeter Airport
Exeter
Devon
EX5 2LJ
UK
Email: sales@sparex.co.uk
Tel: 01392 441338

Sparex Limited

56 Seskinore Road
Drumconnolly
Omagh
County Tyrone
N.Ireland
Email: nipost@sparex.co.uk
Tel: 02882 252565

sparex.com

These parts are Sparex parts and are not manufactured by the Original Equipment Manufacturer. Original Manufacturer's name, part numbers and descriptions are quoted for reference purposes only and are not intended to indicate or suggest that our replacement parts are made by the OEM.

Sparex
Your 1st choice