

# IDENTIFICATION GUIDE FOR DRIVE SHAFTS



Size	Cross and bearing kit	Inboard yoke	Profile pairing	Guard tubes	Guard cones
<b>LINE W / LINE W...E</b>					
<b>W 2100 W 100 E</b>			    	  	 
<b>W 2200 W 200 E</b>			    	  	 
<b>W 2300 W 300 E</b>			   	   	 
<b>W 2400 W 400 E</b>			   	 	
<b>W 2500</b>			 	 	
<b>W 2600</b>			   	  	 
<b>W 2700</b>					
<b>LINE W WITH WIDE ANGLE JOINT ON ONE SIDE WWE / ON TWO SIDES WWZ</b>					
<b>WW 2280</b>			    	  	  
<b>WW 2380</b>			   	   	    
<b>WW 2480</b>			   	  	  
<b>WW 2580</b>			 	  	  
<b>LINE P POWERDRIVE</b>					
<b>P 400</b>			   		
<b>P 500</b>			   		
<b>P 600</b>			 		
<b>P 700</b>			 		
<b>P 800</b>					
<b>LINE P WITH WIDE ANGLE JOINT ON ONE SIDE PWE / ON TWO SIDES PWZ</b>					
<b>PW 480</b>			   		 
<b>PW 580</b>			 		 
<b>PW 675</b>			   	 	 

\* Profile 00a replaced by profile 00c

\*\* Profile 00aGA replaced by profile 00cGA Profile tube: H - Hardened, V - heat-treated

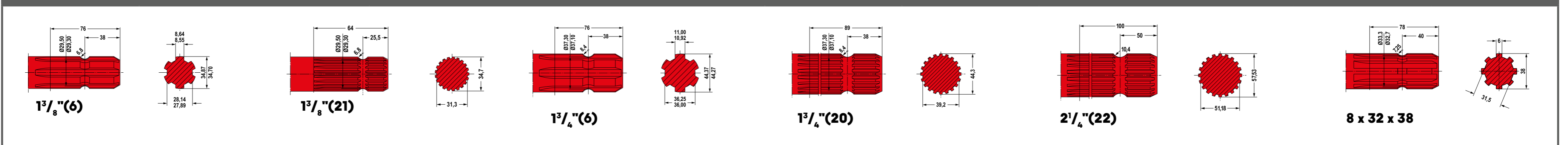
# IDENTIFICATION GUIDE FOR DRIVE SHAFTS



Size	Cross and bearing kit	Yoke	Replaced by size	Profile pairing	*Guard tubes	*Guard cones
<b>IDENTIFICATION GUIDE FOR TYPES PHASED OUT</b> (Individual components only conditional available)						
<b>W I</b>			<b>W 2300</b>			
<b>W II</b>			<b>W 2400</b>			
<b>W 220</b>			<b>W 2400</b>			
<b>WWE/WWZ 2270</b>			<b>WWE/WWZ 2280</b>			
<b>WWE/WWZ 2370</b>			<b>WWE/WWZ 2380</b>			
<b>WWE/WWZ 220</b>			<b>WWE/WWZ 2480</b>			

\*SC 04/14/24/34 interchangeable with SC/SD 05/15/25/35 \*\* Profile 00aGA replaced by profile 00CGA

## CONNECTING PROFILES



## DIMENSIONS FOR GUARD TYPE

	<b>SC/SD05 D = 47</b>	<b>SC/SD/ST15 D = 58</b>	<b>SC/SD/ST25 D = 70</b>	<b>SC/SD35 D = 90</b>
			<b>PG25 D = 70</b>	
	<b>PG20 D = 85</b>		<b>PG30 D = 104</b>	

**FOR ALL REPAIRS  
USE ONLY ORIGINAL  
WALTERSCHEID SPARES.**



Walterscheid  
the original