



Sparex

Your 1st choice

S.166334



IP69K



Wired



Max 2 cameras



7" HD



120°
Wide angle lens



+70°C
-20°C
Operating temperature



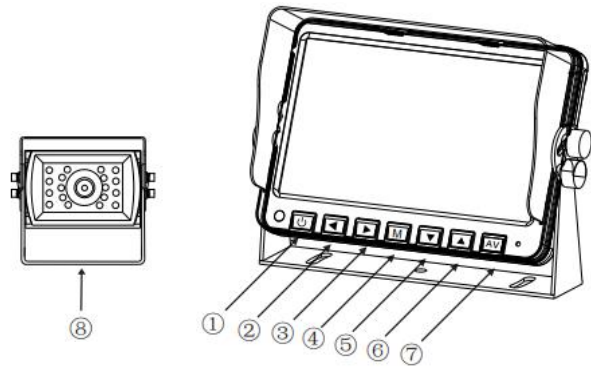
RoHS

UK
CA

Sparex

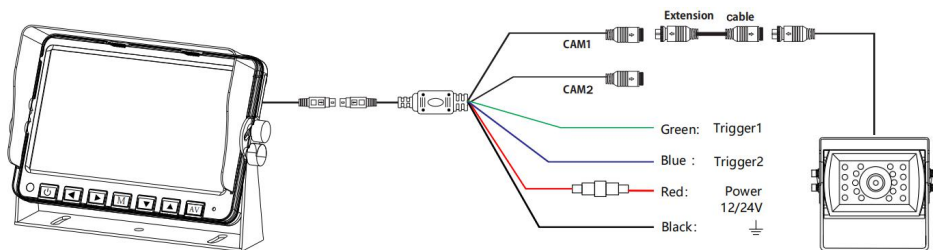
Your 1st choice

HD Digital Wired System User Manual



- ① Power
- ② Left (Vol-)
- ③ Right (Vol+)
- ④ Menu
- ⑤ Down
- ⑥ Up
- ⑦ Channel selection
- ⑧ Camera

Power Connection



Declaration of Conformity

Name of supplier: Sparex Group
 Manufacturer: Guangzhou Besyo Auto Parts CO.,LTD
 Supplier of address: Exeter Airport, Devon EX5 2LJ, United Kingdom
 Manufacturer: 1208, The 12th Floor, Xiangyun Building, NO.1400 Baiyun Avenue, Baiyun District, Guangzhou,P.R.C

- CE Declaration of Conformity compliance with the council EMC Directive 2014/30/EU.
- RoHS Declaration of Conformity compliance with the council RoHS directive 2011/65/EU its amendment Directive EU 2015/863
- E9 Declaration of Conformity concern of a type of electronic sub-assembly with regard to ECE Regulation No. 10.05.
- UK CA Declaration of Conformity in accordance with Regulation 43 of the Electromagnetic Compatibility Regulations 2016 (SI 2016 No. 1091, as amended).

With amendment of the EC Directives and Standards, this declaration is valid for each unit of this article which is delivered to Sparex Ltd

Article Name: Monitor with camera
 Supplier's Article No.: BY-08477M, BY-02063
 Sparex Article No.: S.166334

Implemented harmonized, Standard according to	CE(EMC) EN 50498:2010	RoHS IEC62321-1:2013	E9 No. 10.05	UKCA EN 55032:2015+A11:2020 EN 55035:2017
---	--------------------------	-------------------------	-----------------	---

Official Agency:	Shenzhen DL Testing Technology Co., Ltd DL-20210419017C	Shenzhen DL Testing Technology Co., Ltd DL-2019061761C	IDIADA Automotive Technology, S.A. E9-10R-05.16059 E9*10R05/01*16583*00	Element Materials Technology Warwick Ltd
Certificate No.:	DL-20210419016C			
Date of Issue:	Apr. 20, 2021	Jun. 10, 2019	Jan. 18, 2018 Feb. 20, 2019	Mar. 22, 2021
Signature with Company Chop:	Jade Yang /Manager	Jade Yang /Manager	Kent Lian/Auditor Lluís Sana Gomis /Department Manager	Josh Batty/Deputy Certification Manager
Typed name/title of authorized person				

Designed & Importer by:
 Sparex Group Exeter Airport Devon EX5 2LJ United Kingdom
 Sparex France Z.A.E de Ty douar 29450 Commana France

Manufactured by:
 Guangzhou Besyo Auto Parts CO., LTD
 1208, The 12th Floor, Xiangyun Building,
 NO.1400 Baiyun Avenue, Baiyun District,Guangzhou.
 People Republic of China

Warning



El mantenimiento del sistema debe ser realizado por profesionales. No intente abrir ni mejorar el sistema. El sistema es solo para el funcionamiento seguro del equipo y no es responsable de accidentes.?? Este manual es solo para referencia. No lo notificaremos de cambios o aspectos desconocidos. El derecho de la interpretación final le pertenece al fabricante.



The system maintenance must be maintained by professionals, please do not open and improve the system! The system is only for the safe operation of equipment and not responsible for accidents! This manual is for reference only. If unknown, or any changes, we will give no notice. The final interpretation right belongs to the manufacturer.



Het systeem onderhoud moet worden onderhouden door professionals, gelieve niet te openen en het systeem te verbeteren! Het systeem is alleen voor de veilige werking van de apparatuur en niet verantwoordelijk voor ongelukken! Deze handleiding is alleen ter referentie. Indien er onbekende dingen gebeuren, of wijzigingen zijn, zullen wij u niet contacteren. Het uiteindelijke oordeel berust bij de fabrikant.



L'entretien du système doit être effectué par des professionnels, veuillez ne pas ouvrir et améliorer le système ! Le système est seulement destiné au fonctionnement sûr de l'équipement et ne peut être tenu responsable des accidents ! Ce manuel est seulement à titre de référence. En cas d'inconnu, ou de tout changement, nous ne donnerons aucun préavis. Le droit d'interprétation final appartient au fabricant.



Die Systemwartung muss von Fachleuten durchgeführt werden, bitte das System nicht selbstständig öffnen und keine Verbesserungsversuche vornehmen! Das System dient nur für den sicheren Betrieb von Geräten und wir übernehmen keine Haftung für jegliche Unfälle! Dieses Handbuch dient nur als Referenz. Wir behalten uns das Recht auf jegliche Änderungen ohne Ankündigung vor. Das Recht auf die endgültige Auslegung liegt beim Hersteller.



Systemvedligeholdelse skal vedligeholdes af fagfolk. Du må ikke åbne og forsøge at forbedre systemet! Systemet er kun beregnet til sikker betjening af udstyret og er ikke ansvarligt for ulykker! Denne vejledning er kun til reference. Hvis det er ukendt eller der er ændringer, giver vi ingen besked. Den endelige fortolkningsret tilhører producenten.



Konserwację systemu mogą przeprowadzać wyłącznie specjaliści, nie wolno otwierać ani ingerować w system! System służy do bezpiecznej obsługi urządzeń, jednak nie gwarantuje braku wypadków! Niniejsza instrukcja ma znaczenie tylko informacyjne. Nie powiadamy o wprowadzanych zmianach. Prawo do ostatecznej interpretacji należy do producenta.



La manutenzione del sistema deve essere effettuata da professionisti, si prega di non aprire ed apportare miglioramenti al sistema! Il sistema è progettato per garantire il funzionamento sicuro delle attrezzature e non è responsabile di eventuali incidenti! Questo manuale è solo per riferimento. Per novità, o eventuali modifiche, non daremo alcun preavviso. Il diritto di interpretazione finale appartiene al produttore.



A manutenção do sistema deve ser realizada por profissionais. Não abra nem modifique o sistema! O sistema destina-se unicamente à operação segura do equipamento e não é responsável por acidentes! Este manual serve unicamente para referência. Se desconhecido ou quaisquer alterações, não enviaremos nenhum aviso. O direito de interpretação final pertence ao fabricante.

Contact Information

Europe

Austria
Tel: +43 4212 6400
Sparex Austria
Marsdenweg 9
Hürzendorf 9300

Belgium / Lux
Tel: +32 8023140
Sparex Belgium/Belga
Toucheurweg 19
B-8020 Nieuwpoort

Denmark
Tel: +45 647 2287
Sparex Denmark
Marsdenvej 93
Marsdalvej 1
9300 Aars

Italy
Tel: +43 4212 6400
Sparex Austria
Sparex Limited BgS
Marsdenweg 9
Hürzendorf 9300

Netherlands
Tel: +31 235 841 000
Sparex Holland BV
Luisenland 190
2133 GM Nieuw-Vennep

Poland
Tel: +48 61 816 1937
01-168 ul. Rajpki 164, Pleszew

France
Tel: +33 707 89224
Sparex S.A.R.L.
Zac Des To D'Occar
Commana 29450

Germany
Tel: +49 4282 93100
Sparex Germany
Hansenstrasse 63
Sittensen 27419

Ireland
Tel: +353 51 855992
Sparex (Tractor Accessories) Ltd
Carragee
Walsford
Ireland

Portugal
Tel: +351 261 311107
Sparex Portugal, Importação
e Comércio de Peças, Lda
Lugar da Espera 2565-716 Ilhã, Vila Nova de Gaia

Spain
Tel: +34 949 81 33234
Sparex Agroprestos, S.L. C/Jose Maria
Barralaga
No. 151
01006, Viloria-Gastibiz (Alava)

UK
Tel: +44 1592 441338
Sparex Limited
Eastern Avenue Devon
Exeter EX2 2LJ

North America

Canada
Tel: +905 786 2717
Sparex Canada Highway
No. 2 On Newellville 110

USA
Tel: +1 330 562 8150
Sparex US
P.O. Box 575
Aurora, OH 44202

Africa

South Africa
Tel: +27 20 200 777
KZN - Tel: +27 31 212 1247
Cape Town - Tel: +27 21 512 1247
35 George Blake St,
Plantenburg
Stellenbosch 7600
Durban: 4001

Australasia

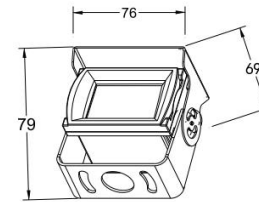
Australia
Tel: +61 286 200 777
Sparex Australia Pty Ltd
Cape Town
50 Mannells crescent
Plantenburg
Stellenbosch 7600

New Zealand
Tel: +64 904 4111
4 Pines Street Ohaupo,
Auckland 1345

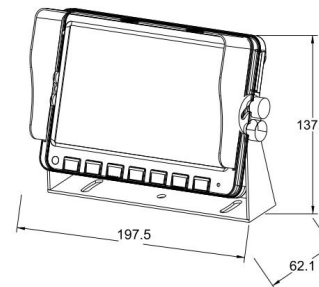
Sparex Export Markets

Export
Tel: +31 235 841 000
Sparex Limited
Luisenland
Devon Exeter EX2 2LJ

Feature



Camera	
	120°
	IP69K
	No
	-20°C ~ 70°C -68°F ~ 158°F
	10m
	10G
	12V



Monitor	
	7" HD
	800* R.G.B.*480
	No
	IP54
	500:1
	450cd/m ²
	-20°C ~ 70°C -68°F ~ 158°F
	10G
	12/24V

Monitor Menu



PICTURE



NO AUDIO



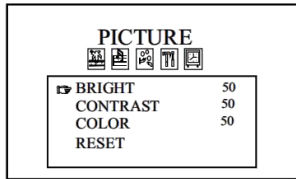
OPTION



SYSTEM

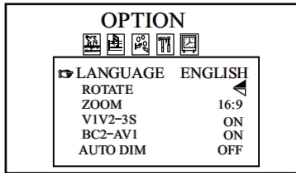


CLOCK



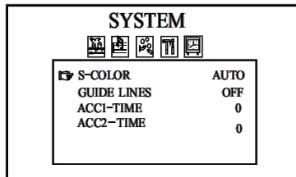
1) Picture:

M → → or → BRIGHT or CONTRAST or
or COLOR or RESET → or



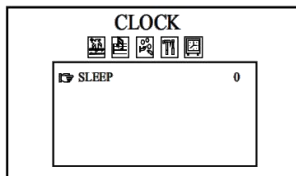
2) Option:

M → → → or → LANGUAGE or
or ROTATE or ZOOM or V1V2-3S or BC2-V1 or AUTO DIM
→ or



3) System:

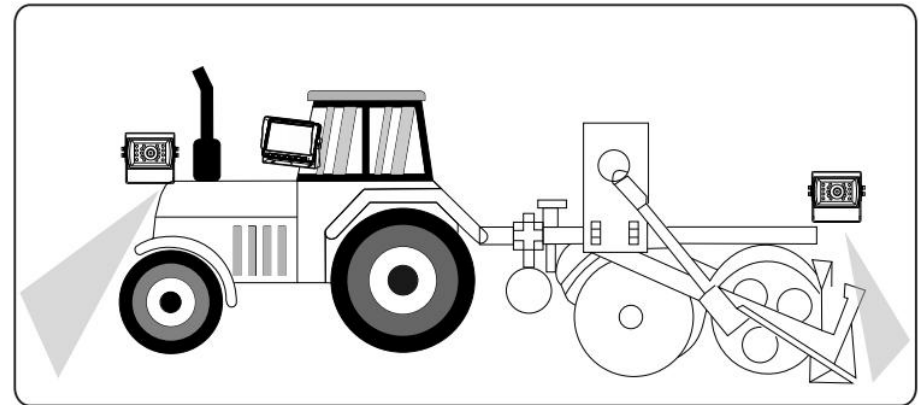
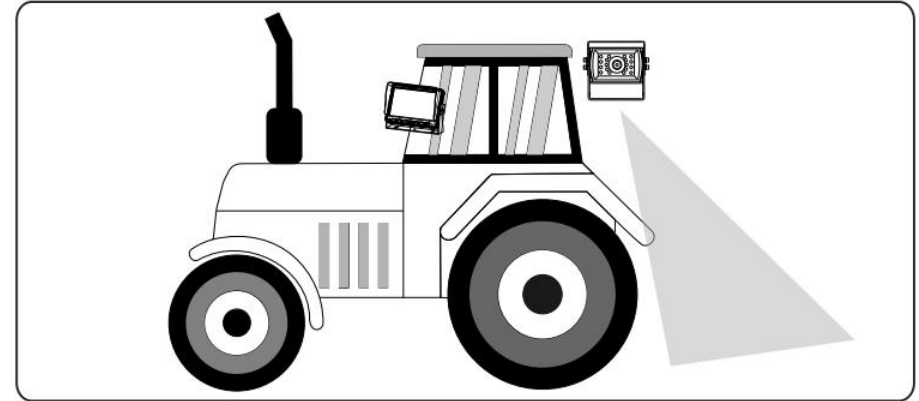
M → → → or → S-COLOR or
or GUIDE LINES or ACC1-TIME or ACC2-TIME →
→ or



4) Picture:

M → → → SLEEP → or

Applications



Fleet &
Heavy truck



Fork Lift



Trailer & RV



Construction
machinery
vehicles



School Bus



AG Equipment